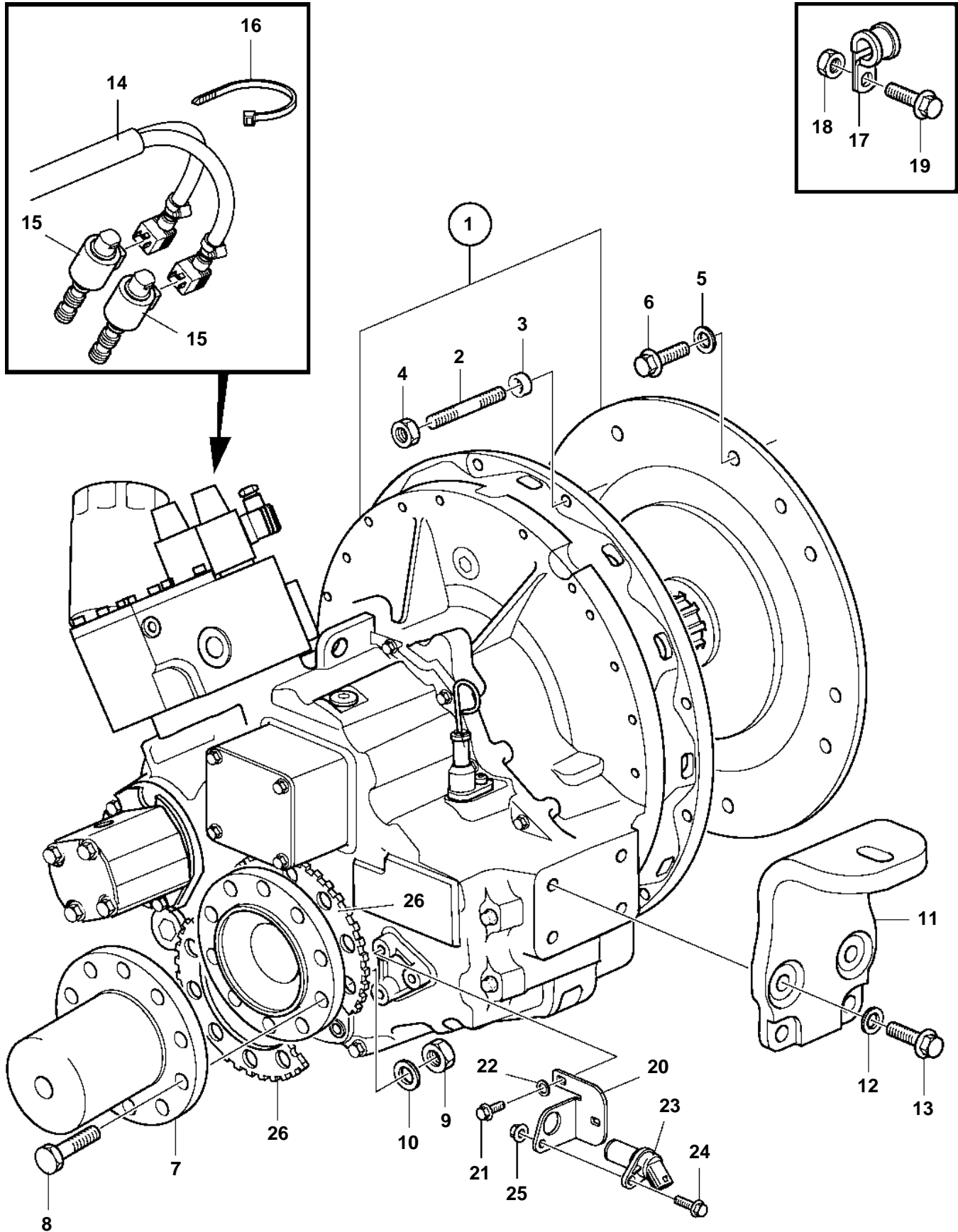


D11A-A



D11A-A

REF	PART NO.	QTY	DESCRIPTION	SEE SEC.	NOTES
1		1	Reversing gear		RATIO 1.51:1
		1	Reversing gear		RATIO 1.73:1
		1	Reversing gear		RATIO 2.04:1
2	479972	12	Stud		
3	942336	12	Spring washer		
4	971089	12	Lock nut		
5	976945	8	Washer		
6	970954	8	Hexagon screw		
7	3589507	1	Companion flange		
8	955739	8	Hexagon screw		
9	950378	8	Lock nut		
10	941912	8	Spring washer		
11	3808128	2	Engine mountings		
12	955900	8	Washer		
13	968435	8	Flange screw		
14	3594238	1	Wiring harness		
15	3831157	2	Solenoid		
16	948211	X	Cable tie		
17	952632	2	Clamp		
18	949278	1	Flange lock nut		
19	946544	1	Flange screw		
20	3840887	1	Bracket		
21	946440	2	Flange screw		
22	941907	2	Spring washer		
23		1	Tachometer sensor	22014	
24	946544	1	Flange screw		
25	949278	1	Flange lock nut		
26	3841413	2	Sprocket wheel		