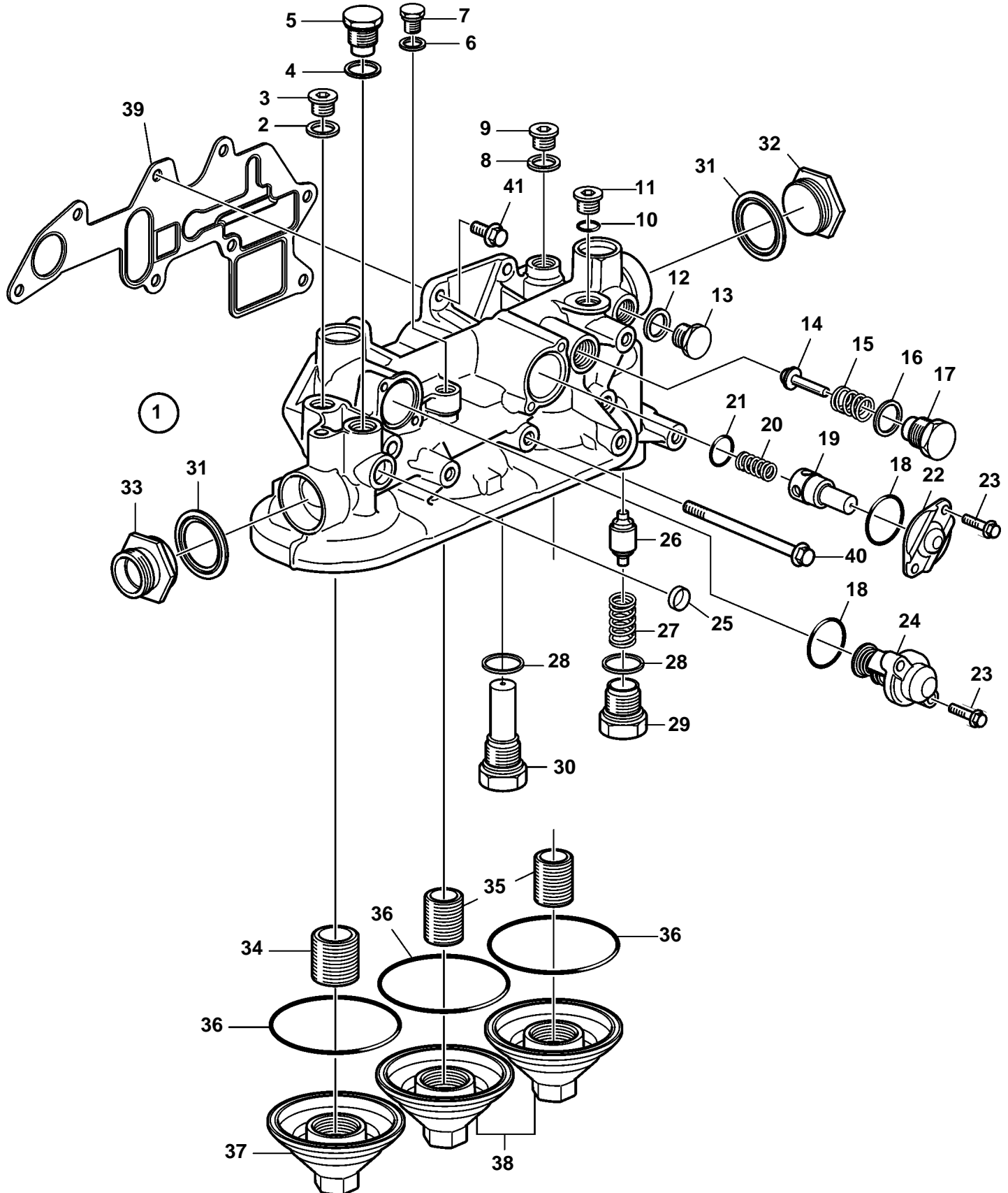


D11A-A, D11A-B, D11A-C



D11A-A, D11A-B, D11A-C

REF	PART NO.	QTY	DESCRIPTION
1	3886539	1	Oil filter housing
2	11998	1	• Gasket
3		1	• Plug
4	947627	1	• Gasket
5	471598	1	• Plug
6	11994	1	• Gasket
7	960629	1	• Plug
8	947622	1	• Gasket
9	966143	1	• Plug
10	968559	1	• O-ring
11	968609	1	• Plug
12	947624	1	• Gasket
13	960632	1	• Plug
14	471085	1	• Valve cone, overflow valve
15	20581560	1	• Compression spring
16	947627	1	• Gasket
17	471598	1	• Plug
18	949659	2	• O-ring
19	471812	1	• Reduction valve
20		1	• • Spring
21	469846	1	• Sealing ring
22	471648	1	• Cover
23	947542	4	• Flange screw
24	20903074	1	• Thermostat
25	946778	1	• Cap plug
26	20440779	1	• Valve cone, piston cooling
27	20464676	1	• Spring
28	947629	2	• Gasket
29	3587204	1	• Plug
30		1	• Plug
31	982510	2	• Gasket
32	3588439	1	• Plug
33		1	• Nipple
34	469904	1	• Nipple
35	466623	2	• Nipple
36	948981	3	O-ring
37	3812511	2	Cover
38	21137476	1	Cover
39	20882218	1	Gasket
40	969225	4	Flange screw
41	946173	4	Flange screw