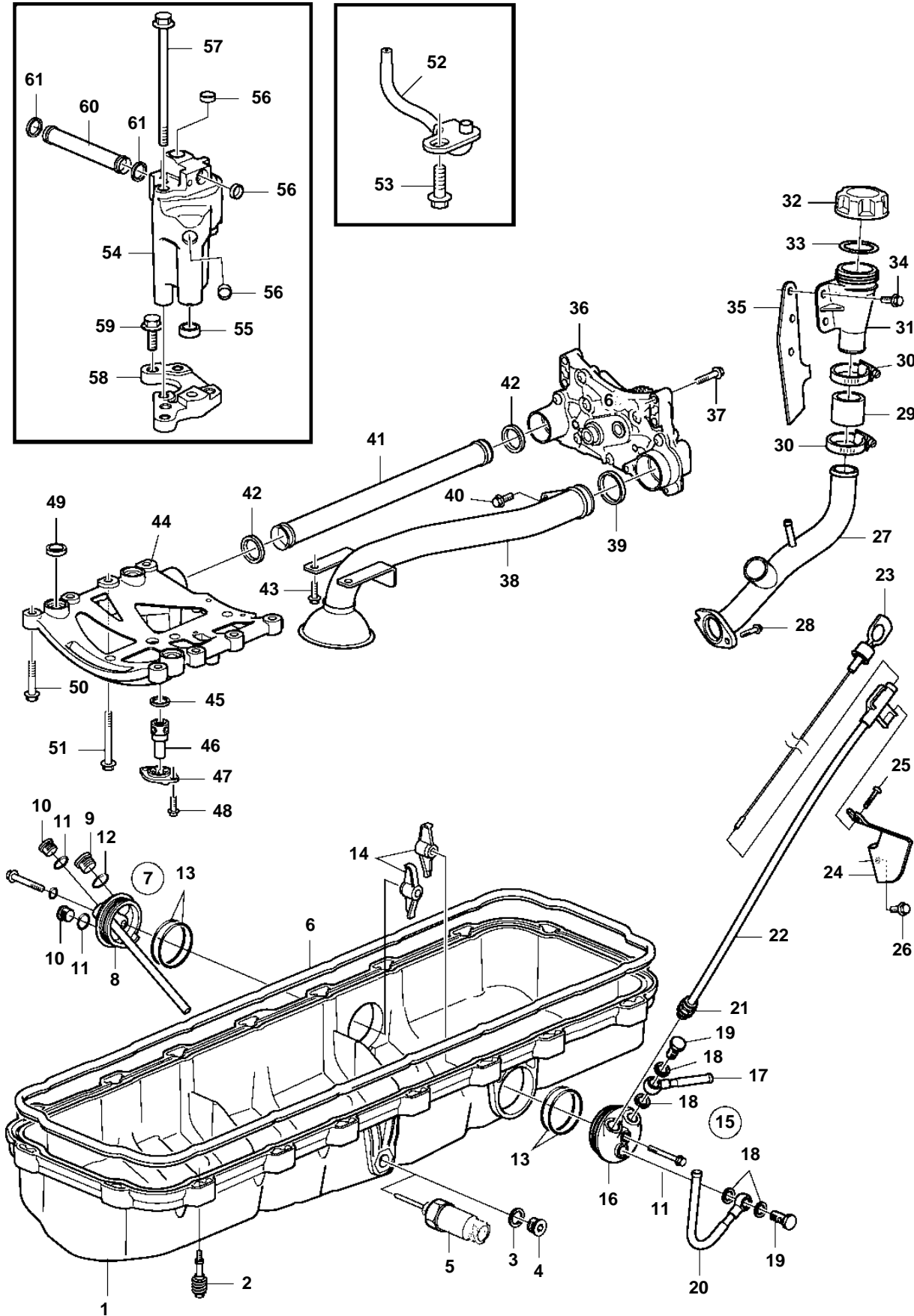


D11A-C



25043

## D11A-C

REF	PART NO.	QTY	DESCRIPTION	SEE SEC.
1	3808491	1	Sump	
2	20739547	18	Flange screw	
3	11998	1	Gasket	
4		1	Plug	
5		1	Level sensor	22014
6	20812484	1	Sealing strip	
7	21152129	1	Cover flange	
8			· Cover	
9	966143	1	· Plug	
10	945065	2	· Plug	
11	982723	2	· Gasket	
12	982724	1	· Gasket	
13	967343	4	O-ring	
14	3812221	2	Retainer	
15	21442157	1	Cover flange	
16		1	· Cover	
17		1	· Oil pipe	
18	982723	4	· Gasket	
19	25167	2	· Hollow screw	
20		1	· Oil pipe	
21		1	· Nipple	
22	21442388	1	Pipe	
23	21186628	1	Oil dipstick	
24	21277902	1	Bracket	
25	975371	1	6 point socket screw	
26	946173	2	Flange screw	
27	21275561	1	Oil filler pipe	
28	945444	2	Flange screw	
29	21278364	1	Hose	
30	993964	2	Hose clamp	
31	20808091	1	Oil filler pipe	
32	20807510	1	· Oil filler cap	
33	20365079	1	· · Gasket	
34	946440	2	Flange screw	
35		1	Bracket	
36	20570573	1	Oil pump	
			Details not spec.	
37	947760	4	Flange screw	
38	3883823	1	Oil strainer	
39	20570444	1	Sealing ring	
40	949853	1	Flange screw	
41	20563450	1	Pressure pipe	
42	20570449	2	Sealing ring	
43	946173	1	Flange screw	
44	21125138	1	Valve housing	
45	469846	1	· Sealing ring	
46	3826265	1	· Reduction valve	
47	471648	1	· Cover	
48	946544	2	· Flange screw	
49	21092243	3	· Sealing ring	
50	965186	6	Flange screw	
51	947790	2	Flange screw	
52	21389857	6	Piston cooling jet	
53	966378	6	Flange screw	
54	20540340	1	Intermediate housing	
55	20526428	1	Sealing ring	
56	955082	3	Cap plug	
57	969225	2	Flange screw	
58	20862692	1	Adapter	
59	946173	3	Flange screw	
60	20951326	1	Connection pipe	
61	1677370	2	Sealing ring	