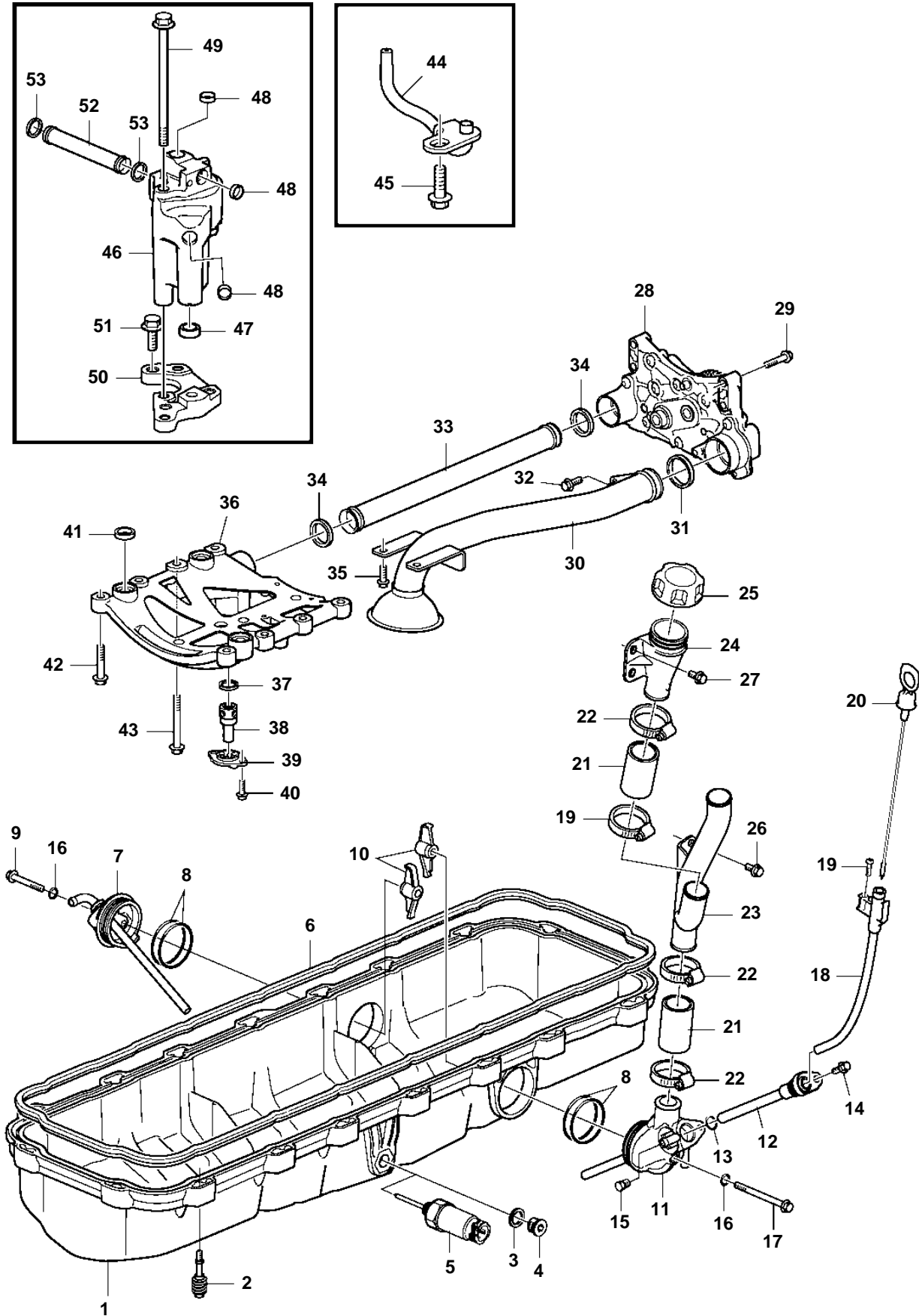


D11A-A, D11A-B, D11A-C



D11A-A, D11A-B, D11A-C

REF	PART NO.	QTY	DESCRIPTION	SEE SEC.
1	3808491	1	Sump	
2	20739547	18	Flange screw	
3	11998	1	Gasket	
4		1	Plug	
5		1	Level sensor	22014
6	20812484	1	Sealing strip	
7	3809996	1	Cardboard tube	
8	967343	1	O-ring	
9	965180	1	Flange screw	
10	3812221	2	Retainer	
11	3809994	1	Connector	
12	20724256	1	Pipe	
13	949656	1	· O-ring	
14	946440	1	Flange screw	
15	479979	1	Plug	
16	990058	2	O-ring	
17	965184	1	Flange screw	
18	3593605	1	Pipe	
19	975371	1	6 point socket screw	
20	3847530	1	Oil dipstick	
21	11162126	2	Hose	
22	943477	4	Hose clamp	
23	3842968	1	Pipe	
24	20808091	1	Oil filler pipe	
25		1	· Oil filler cap	
26	946440	1	Flange screw	
27	946440	2	Flange screw	
28	20570573	1	Oil pump	
			· Parts not sold separately	
29	947760	4	Flange screw	
30	3883823	1	Oil strainer	
31	20570444	1	Sealing ring	
32	949853	1	Flange screw	
33	20563450	1	Pressure pipe	
34	20570449	2	Sealing ring	
35	946173	1	Flange screw	
36	21125138	1	Valve housing	
37	469846	1	· Sealing ring	
38	3826265	1	· Reduction valve	
39	471648	1	· Cover	
40	946544	2	· Flange screw	
41	21092243	3	· Sealing ring	
42	965186	6	Flange screw	
43	947790	2	Flange screw	
44	3889547	6	Piston cooling jet	
45	966378	6	Flange screw	
46	20540340	1	Intermediate housing	
47	20526428	1	Sealing ring	
48	955082	3	Cap plug	
49	969225	2	Flange screw	
50	20862692	1	Adapter	
51	946173	3	Flange screw	
52	20951326	1	Connection pipe	
53	1677370	2	Sealing ring	