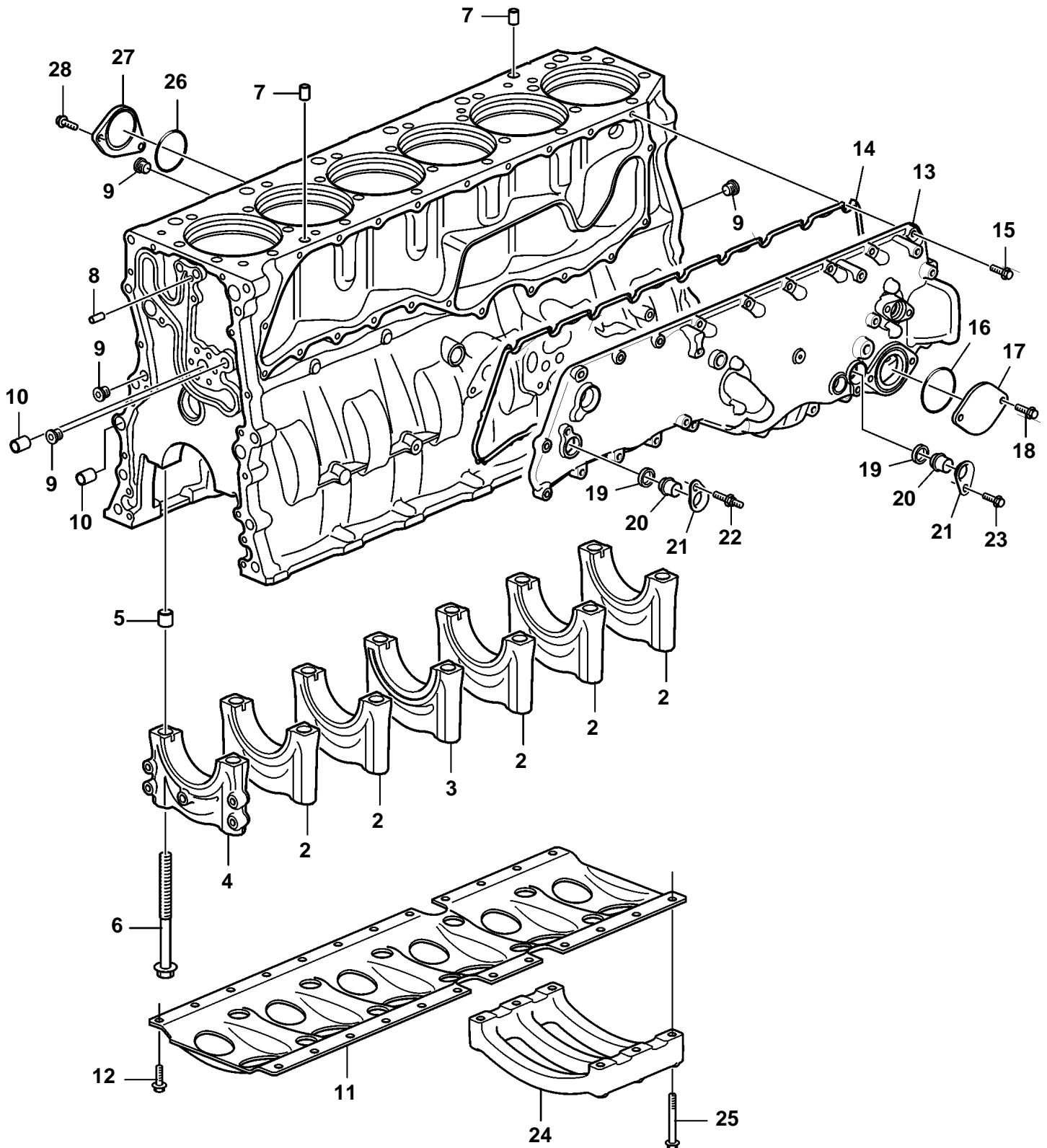


D11A-A, D11A-B, D11A-C

1



D11A-A, D11A-B, D11A-C

| REF | PART NO. | QTY | DESCRIPTION |
|-----|----------|-----|--------------------|
| 1 | 21011206 | 1 | Cylinder block |
| 2 | | 5 | · Main bearing cap |
| 3 | | 1 | · Main bearing cap |
| 4 | | 1 | · Main bearing cap |
| 5 | | 14 | · Guide sleeve |
| 6 | 1547040 | 14 | · Screw |
| 7 | 20485996 | 2 | Guide sleeve |
| 8 | 950588 | 1 | Pin |
| 9 | 984793 | 4 | Plug |
| 10 | 8131145 | 2 | Guide sleeve |
| 11 | 20575260 | 1 | Frame |
| 12 | 946472 | 10 | Flange screw |
| 13 | 20910025 | 1 | Cover |
| 14 | 20584639 | 1 | Sealing strip |
| 15 | 946671 | 22 | Flange screw |
| 16 | 975675 | 1 | O-ring |
| 17 | | 1 | Flange |
| 18 | 945444 | 2 | Flange screw |
| 19 | 1547252 | 2 | Sealing ring |
| 20 | 20845995 | 2 | Plug |
| 21 | 20718731 | 2 | Yoke |
| 22 | 20714050 | 1 | Flange screw |
| 23 | 945444 | 1 | Flange screw |
| 24 | 3836277 | 1 | Reinforcement |
| 25 | 975103 | 6 | Flange screw |
| 26 | 949660 | 1 | O-ring |
| 27 | 3884277 | 1 | Cover |
| 28 | 946173 | 2 | Flange screw |