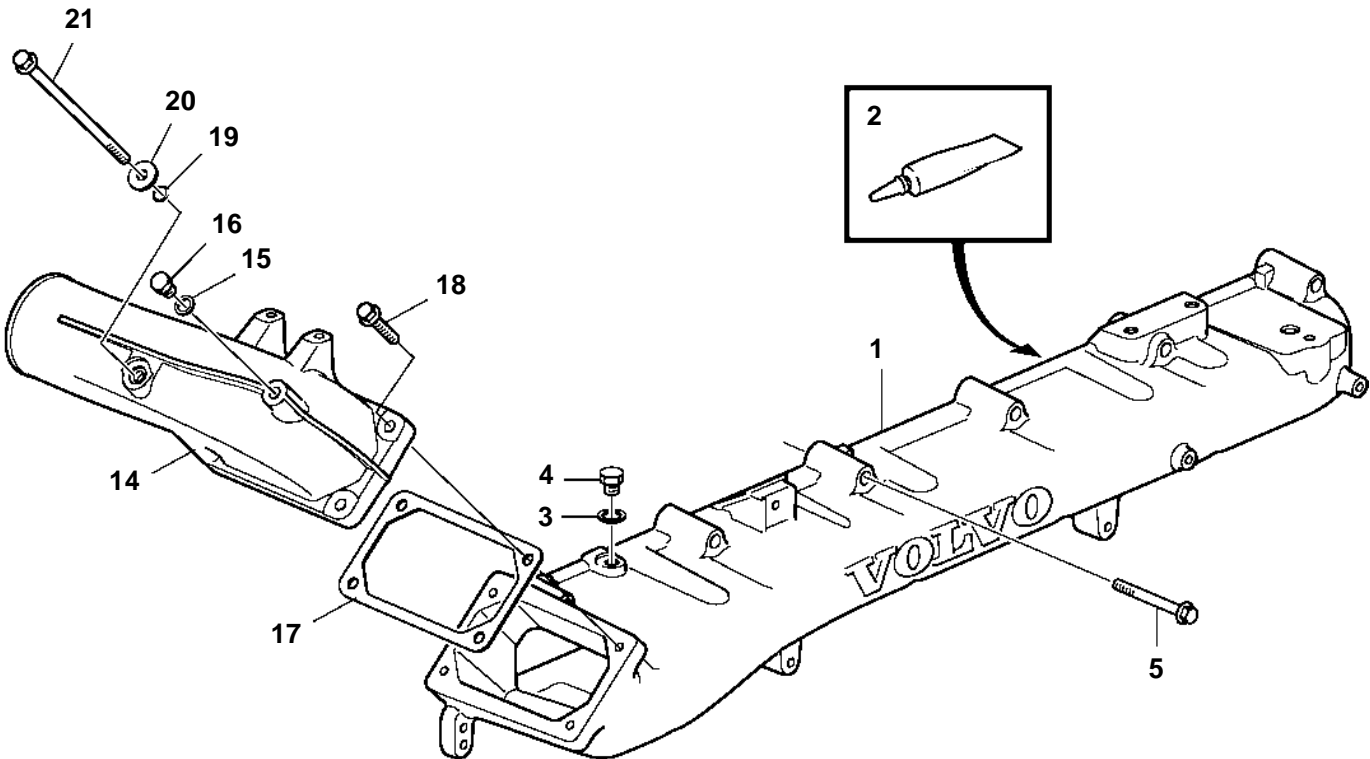
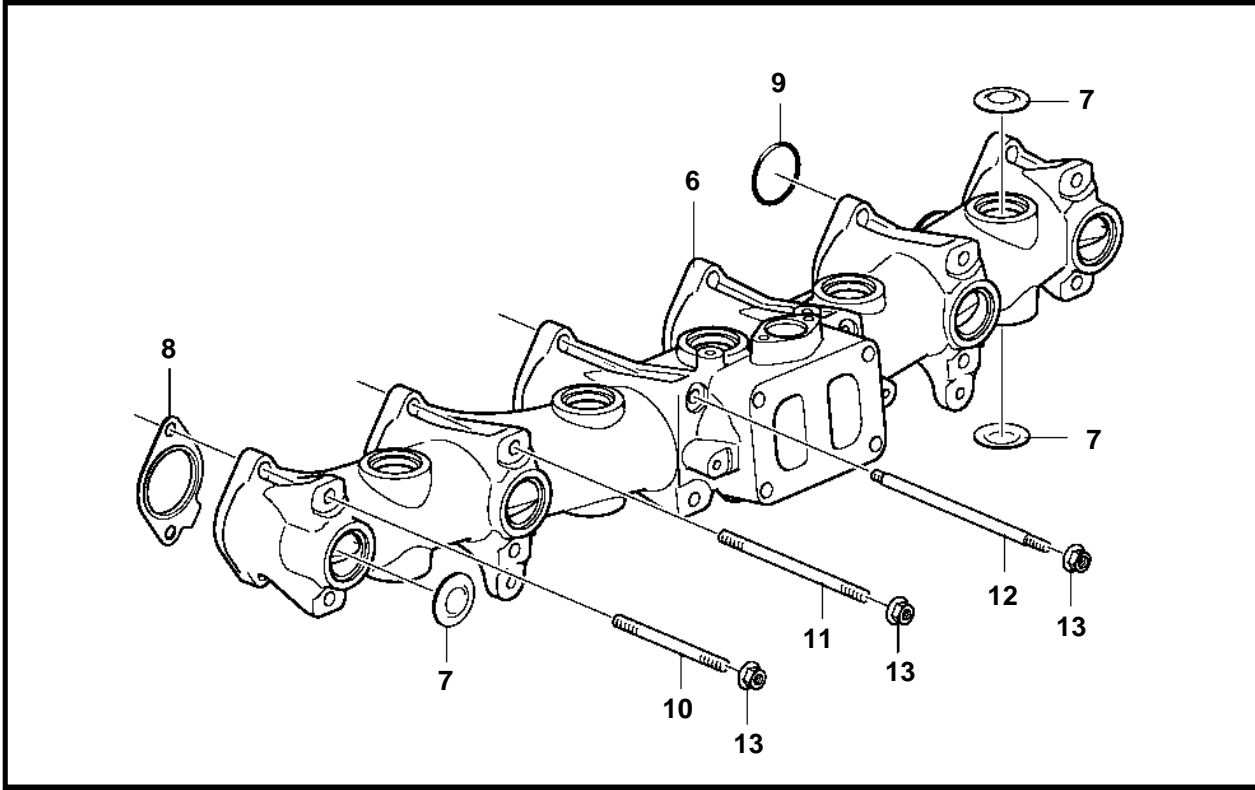


D11A-A, D11A-B, D11A-C



D11A-A, D11A-B, D11A-C

REF	PART NO.	QTY	DESCRIPTION	NOTES
1	20708331	1	Inlet pipe	
2	1161231	X	Sealant	304ml
	1161277	X	Sealant	20g
3	947281	1	Gasket	
4	960628	1	Plug	
5	965180	12	Flange screw	
6	3884783	1	Exhaust manifold	
7	968955	14	Expansion plug	
8	8148172	6	Gasket	
9	469606	2	Sealing ring	
10	953000	4	Stud	
11	953007	4	Stud	
12	948932	4	Stud	
13	971095	12	Flange nut	
14	3888801	1	Charge air pipe	
15	947281	1	Gasket	
16	960628	1	Plug	
17	477314	1	Gasket	
18	946470	3	Flange screw	
19	990058	1	O-ring	
20	976944	1	Washer	
21	968893	1	Flange screw	