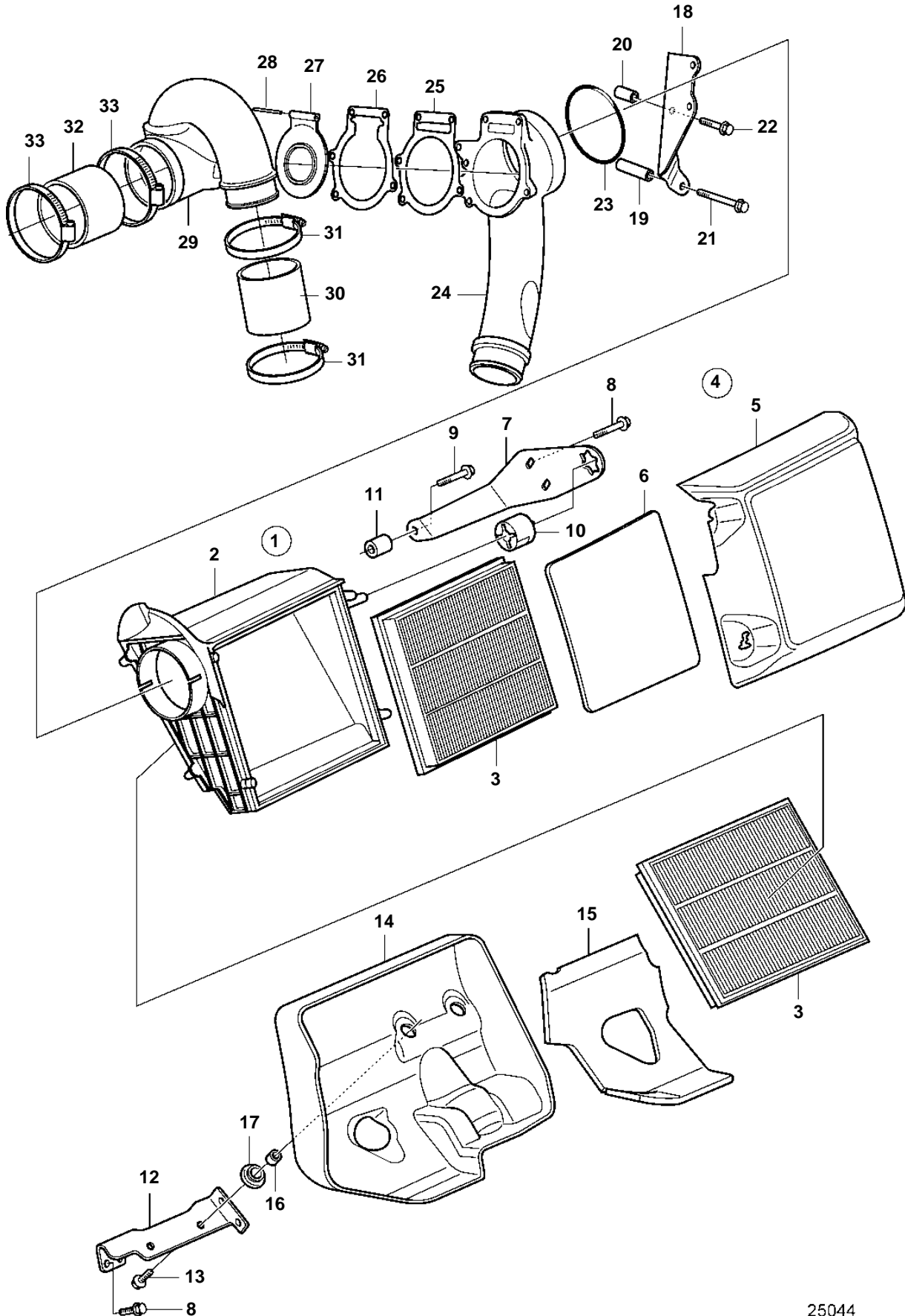


D11A-C



D11A-C

REF	PART NO.	QTY	DESCRIPTION
1	21310017	1	Air filter
2	3808327	1	· Housing
3	3818541	2	· Insert
4		1	· Filter cap
5		1	· · Cardboard tube
6		1	· · Sound absorber
7	21295545	1	Bracket
8	946173	4	Flange screw
9	948217	1	Flange screw
10	21301219	1	Rubber bushing
11	973273	1	Spacer sleeve
12	21295556	1	Bracket
13	945444	2	Flange screw
14	21327476	1	Sound absorber
15		1	· Sound absorber
16	40005089	4	· Spacer
17	992404	4	· Grommet
18	21257516	1	Bracket
19		1	Sleeve
20		1	Sleeve
21	980475	1	Flange screw
22	965187	1	Flange screw
23	990692	1	O-ring
24	21416775	1	Air shutter
25	21389148	1	Gasket
26	21269698	1	Gasket
27	21416775	1	Air shutter
28		1	· Pin
29	21256260	1	Air shutter
30	470327	1	Hose
31	943481	2	Hose clamp
32	21305110	1	Rubber hose
33	853012	2	Hose clamp