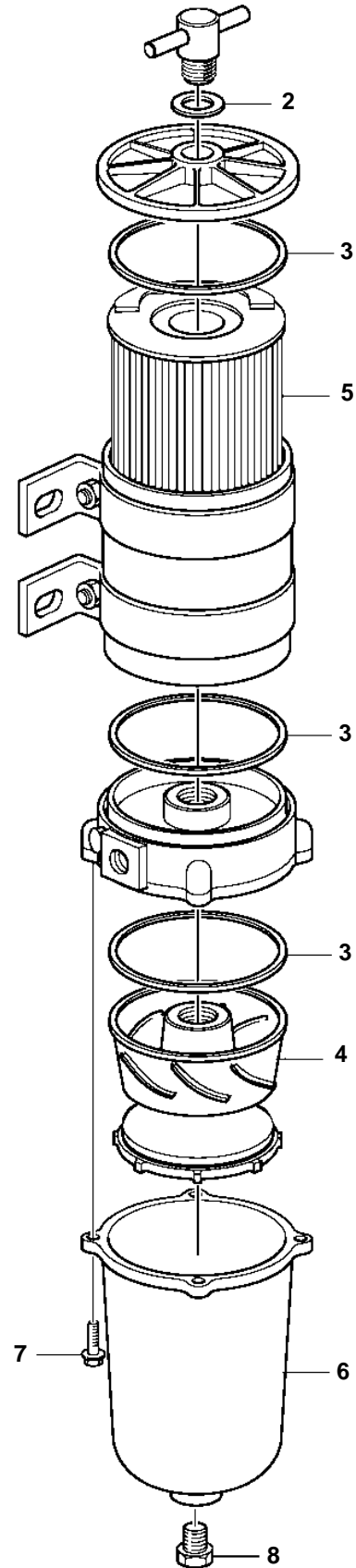
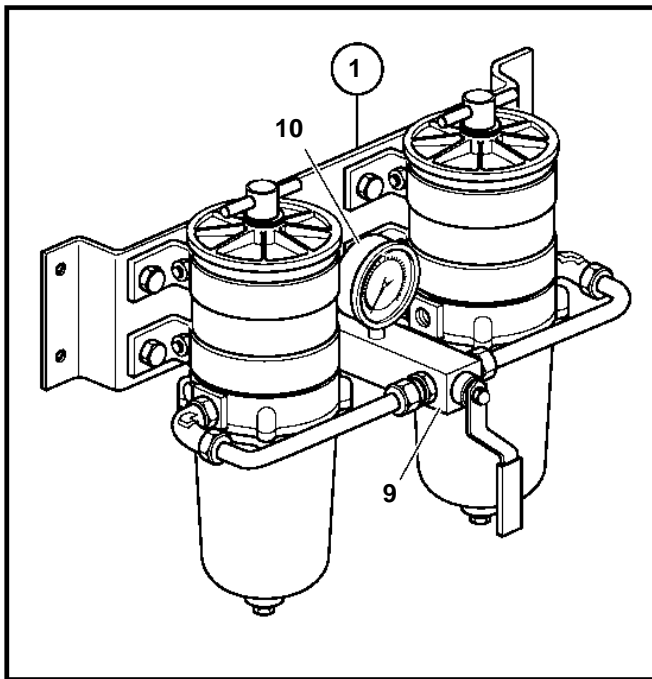


D11A-A, D11A-B, D11A-C



D11A-A, D11A-B, D11A-C

REF	PART NO.	QTY	DESCRIPTION
1	877770	1	Fuel filter
2	838505	2	· O-ring
3	846719	6	· Gasket
4		2	· Turbine
5	3838852	2	· Fuel filter insert
6	3838851	2	· Bowl
7	940094	8	· Hexagon screw
8	952075	2	· Plug
9	3827300	2	· Block
10	3827299	2	· Manometer