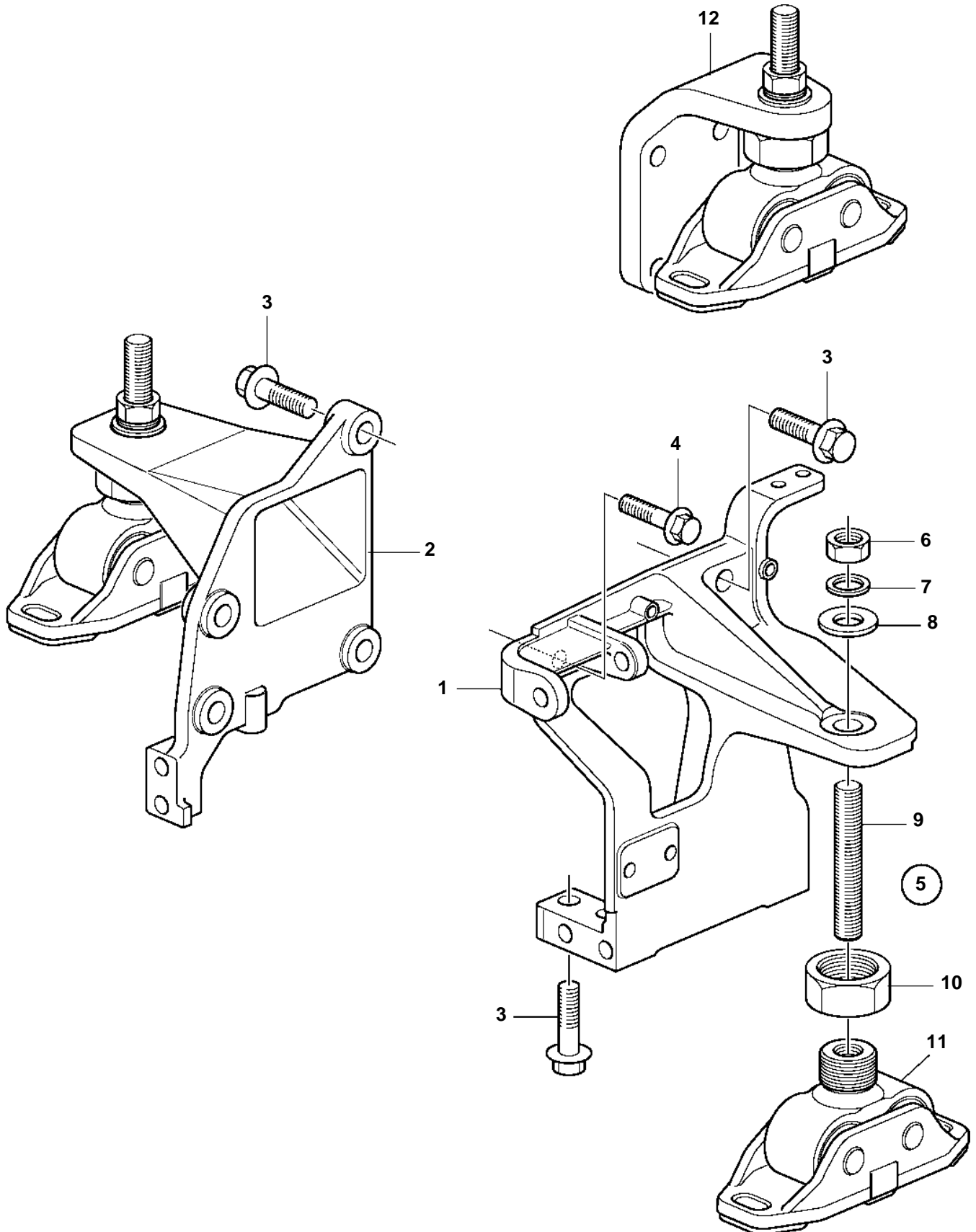


D11A-A, D11A-B, D11A-C



**D11A-A, D11A-B, D11A-C**

REF	PART NO.	QTY	DESCRIPTION	SEE SEC.	NOTES
1	3807514	1	Engine mountings		FRONT
2	3838920	1	Engine mountings		FRONT
3	968436	8	Flange screw		
4	946472	1	Flange screw		
5	3817318	2	Rubber cushion kit		45 SH
6	955786	1	· Hexagon nut		
7	990697	1	· Lock washer		
8	120224	1	· Washer		
9	3817323	1	· Adjusting screw		
10	3839409	1	· Nut		
11		1	· Bracket		
12	3808128	2	Engine mountings	22369	For ZF305-2A-E
		2	Engine mountings	22366	For ZF311A-E