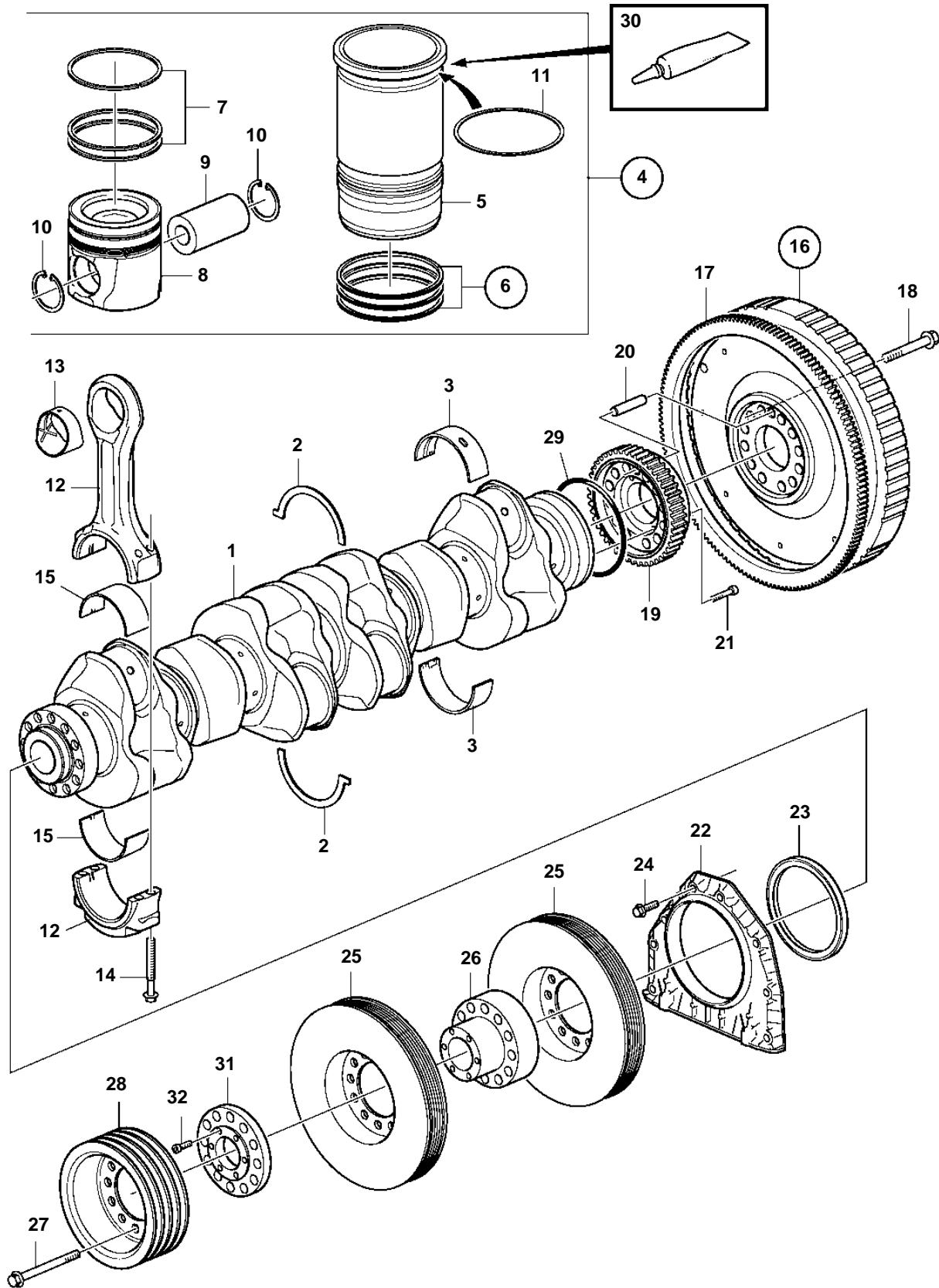


D11A-A, D11A-B, D11A-C



D11A-A, D11A-B, D11A-C

REF	PART NO.	QTY	DESCRIPTION	NOTES
1	20585167	1	Crankshaft	
2	3093651	1	Thrust washer	Std
	3093652	1	Thrust washer	O.S=00,1mm
	3093653	1	Thrust washer	O.S=0,20mm
	3093654	1	Bearing shield	O.S=0,30mm
3	20867178	7	Main bearing kit	STD (85103707)
	85103708	7	Main bearing kit	O.S=0,25mm
	85103709	7	Main bearing kit	O.S=0,50mm
	85103711	7	Main bearing kit	O.D=1,0mm
4	3593795	6	Cylinder liner kit	
5		1	· Cylinder liner	
6	85103699	1	· Sealing kit	
		1	· · Sealing ring	UPPER
7	20463853	X	· Shim	TH = 0,2mm
	20463854	X	· Shim	TH = 0,3mm
	20463855	X	· Shim	TH = 0,5mm
8	85109662	1	· Kit	
		1	· · Compression ring	UPPER
		1	· · Compression ring	LOWER
		1	· · Oil scraper ring	
9		1	· Piston	
10		1	· Piston pin	
11	3161087	2	· Snap ring	
12	20480806	6	Connecting rod	
13		6	· Bushing	
14	8192804	24	· Screw	
15	85109792	6	Kit	Std
16	3849381	1	Flywheel	
17	3838729	1	· Gear ring	
18	21340868	12	Screw	
19	8148111	1	Gear	
20	950658	1	Pin	
21	941761	2	Hex. socket screw	
22	20777233	1	Cover	
23	85108423	1	· Crankshaft seal	
24	946671	8	Flange screw	
25	3847678	2	Vibration damper	
26	3586634	1	Spacer ring	
27	965196	12	Flange screw	
28	3837937	1	Pulley	
29	949736	1	O-ring	
30	1161231	X	Sealant	304ml
	1161277	X	Sealant	20g
31	3809765	1	Spacer ring	
32	20483919	6	Hex. socket screw	