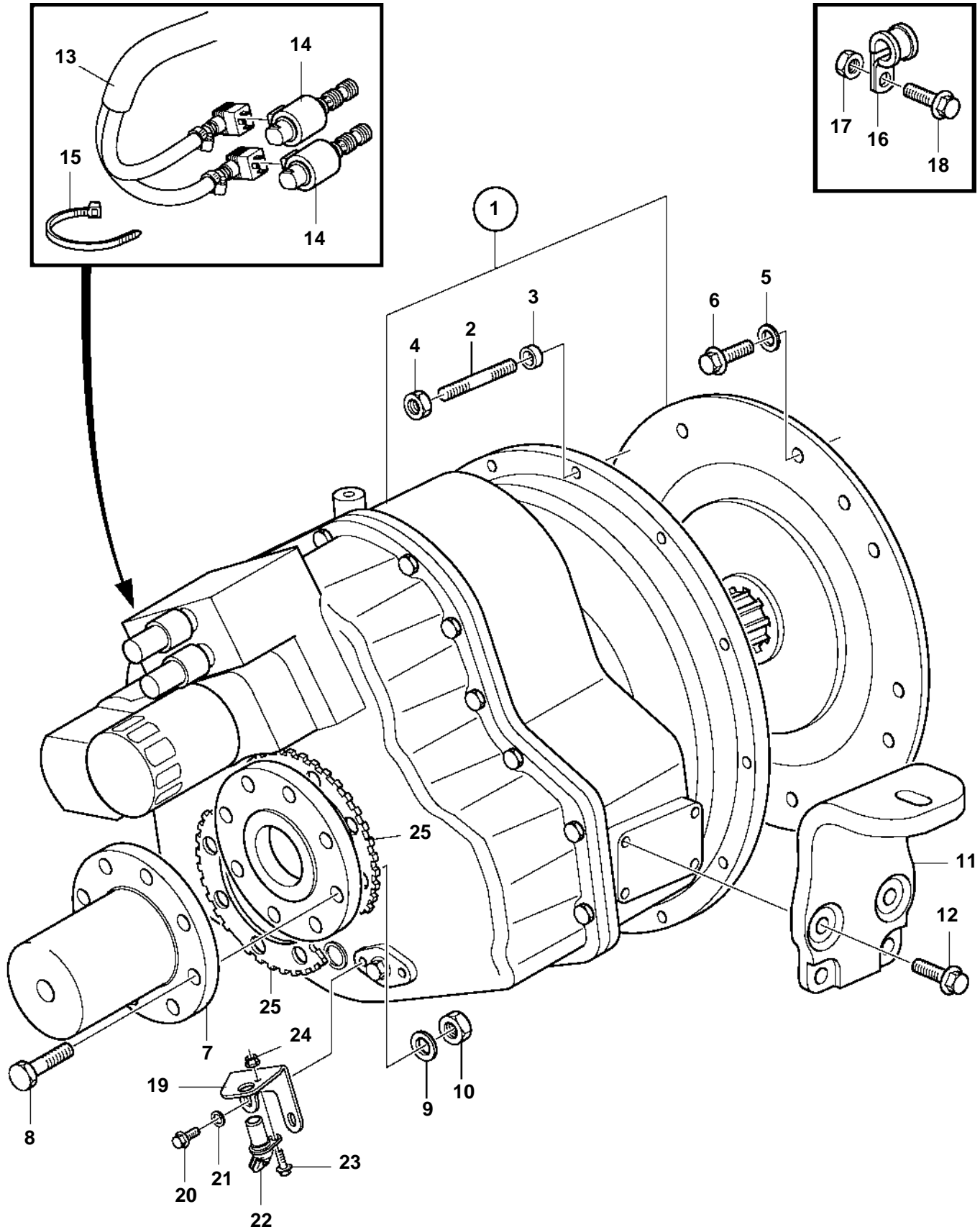


D11A-A



D11A-A

REF	PART NO.	QTY	DESCRIPTION	SEE SEC.	NOTES
1		1	Reversing gear		7° angle down, RATIO 1.50:1
		1	Reversing gear		7° angle down, Ratio 1.76:1
		1	Reversing gear		7° angle down, RATIO 2.03:1
			· Parts not sold separately		
2	479972	12	Stud		
3	942336	12	Spring washer		
4	971089	12	Lock nut		
5	976945	8	Washer		
6	970954	8	Hexagon screw		
7	863994	1	Clutch flange		
8	955739	8	Hexagon screw		
9	941912	8	Spring washer		
10	950378	8	Lock nut		
11		2	Engine mountings		
12	968435	8	Flange screw		
13	3594238	1	Wiring harness		
14	3826414	2	Solenoid		
15	948211	X	Cable tie		
16	952632	2	Clamp		
17	949278	1	Flange lock nut		
18	946544	1	Flange screw		
19	3840887	1	Bracket		
20	946440	2	Flange screw		
21	941907	2	Spring washer		
22		1	Tachometer sensor	22014	
23	946544	1	Flange screw		
24	949278	1	Flange lock nut		
25	3841413	2	Sprocket wheel		