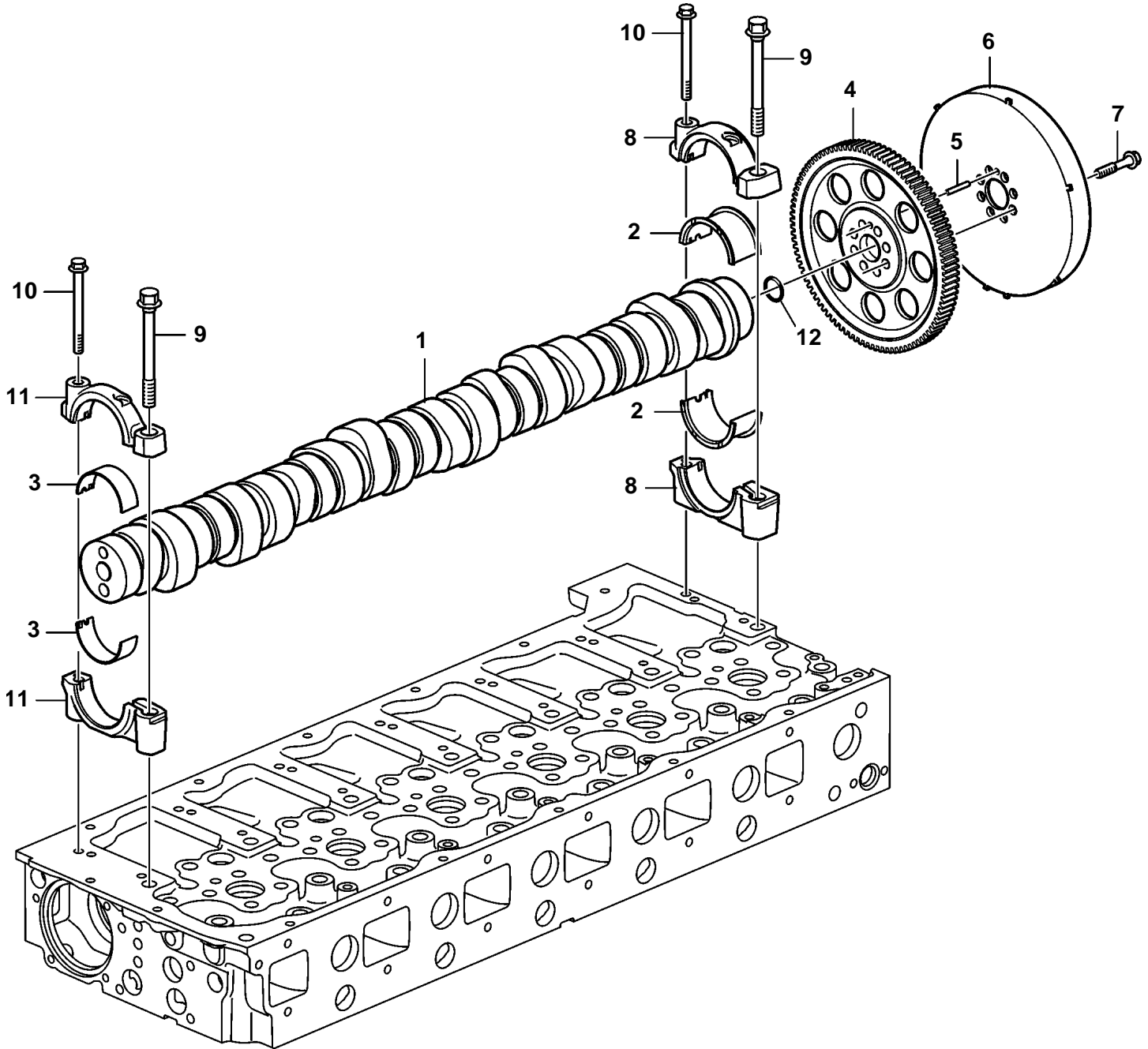


D11A-A, D11A-B, D11A-C



23961

D11A-A, D11A-B, D11A-C

| REF | PART NO. | QTY | DESCRIPTION | NOTES |
|-----|----------|-----|------------------|--------|
| 1 | 20451775 | 1 | Camshaft | |
| 2 | 8148037 | 2 | Bearing shell | |
| 3 | 8148038 | 12 | Bearing shell | |
| 4 | 8131386 | 1 | Gear | |
| 5 | 950551 | 1 | · Pin | L=35mm |
| 6 | 20450049 | 1 | Vibration damper | |
| 7 | 8131597 | 6 | Flange screw | |
| 8 | 3161079 | 6 | Bearing housing | |
| 9 | 20412482 | 7 | Flange screw | |
| 10 | 975105 | 7 | Flange screw | |
| 11 | 3161082 | 1 | Bearing housing | |
| 12 | 950542 | 1 | Pin | L=25mm |