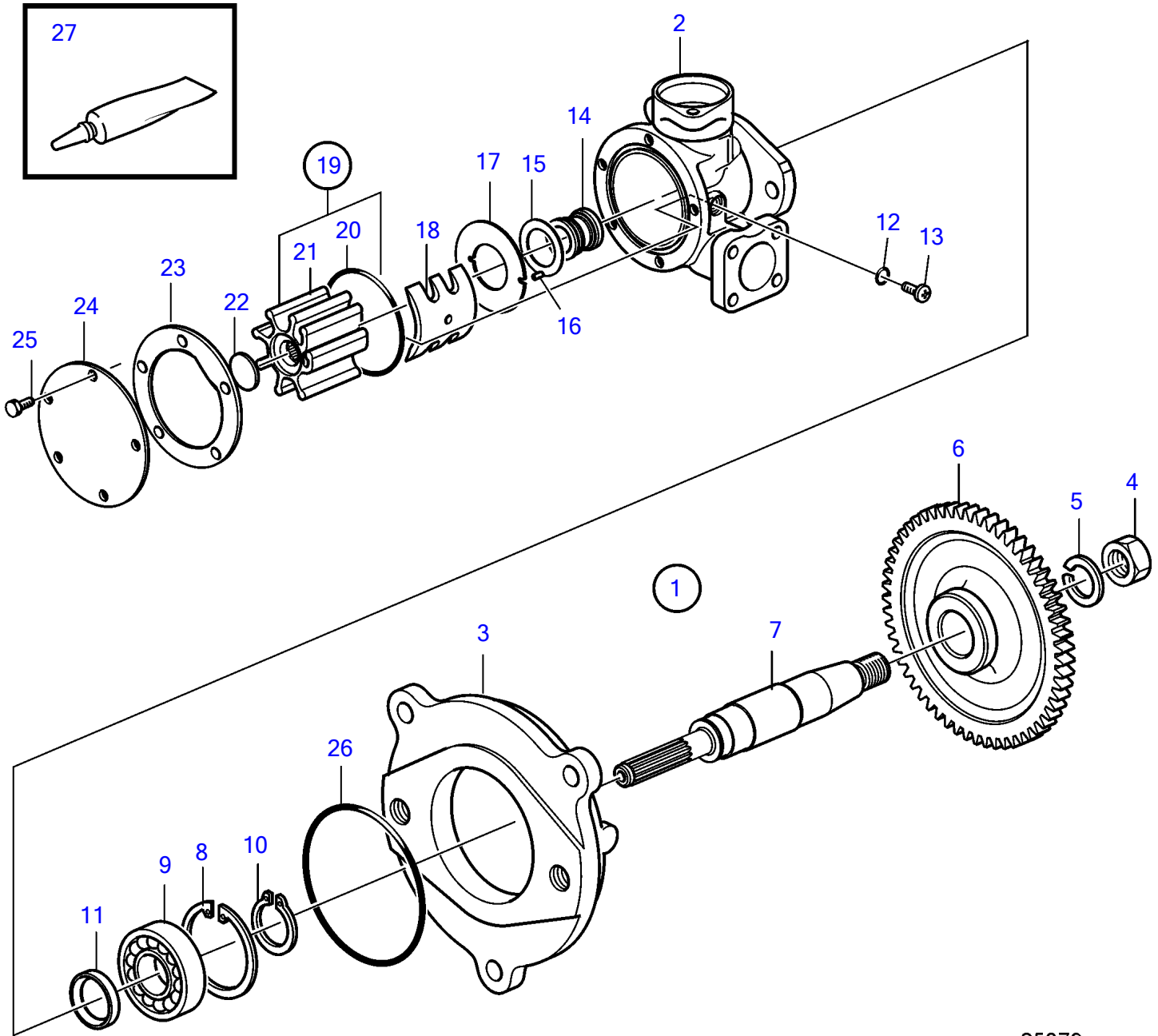


D11A-C, D11A-D



25079

## D11A-C, D11A-D

REF	PART NO.	QTY	DESCRIPTION	NOTES
1	21219723	1	Sea water pump	
2		1	• Housing	
3		1	• Adapter	
4	3587886	1	• Hexagon nut	
5	941914	1	• Spring washer	Obsolete part
6	3161258	1	• Gear	
7		1	• Shaft	
8	812953	1	• Lock ring	
9	3587881	1	• Bearing	
10	812951	1	• Lock ring	
11	3587882	1	• Sealing	
12	3583614	1	• O-ring	
13	21277478	1	• Cross recessed screw	
14	3829315	1	• Sealing ring	
15	812964	1	• Deflector ring	
16	3817937	1	• Pivot pin	
17	826230	1	• Wear washer	
18	21277458	1	• Cam	
19	21430184	1	• Impeller kit	
20	925259	1	• • O-ring	
21		1	• • Impeller	
22	812966	1	• • Spline seal	
23	3829314	1	• • Gasket	
24		1	• Cover	
25	3583604	5	• Hexagon screw	
26	925259	1	• O-ring	
27	3862178	1	Grease	