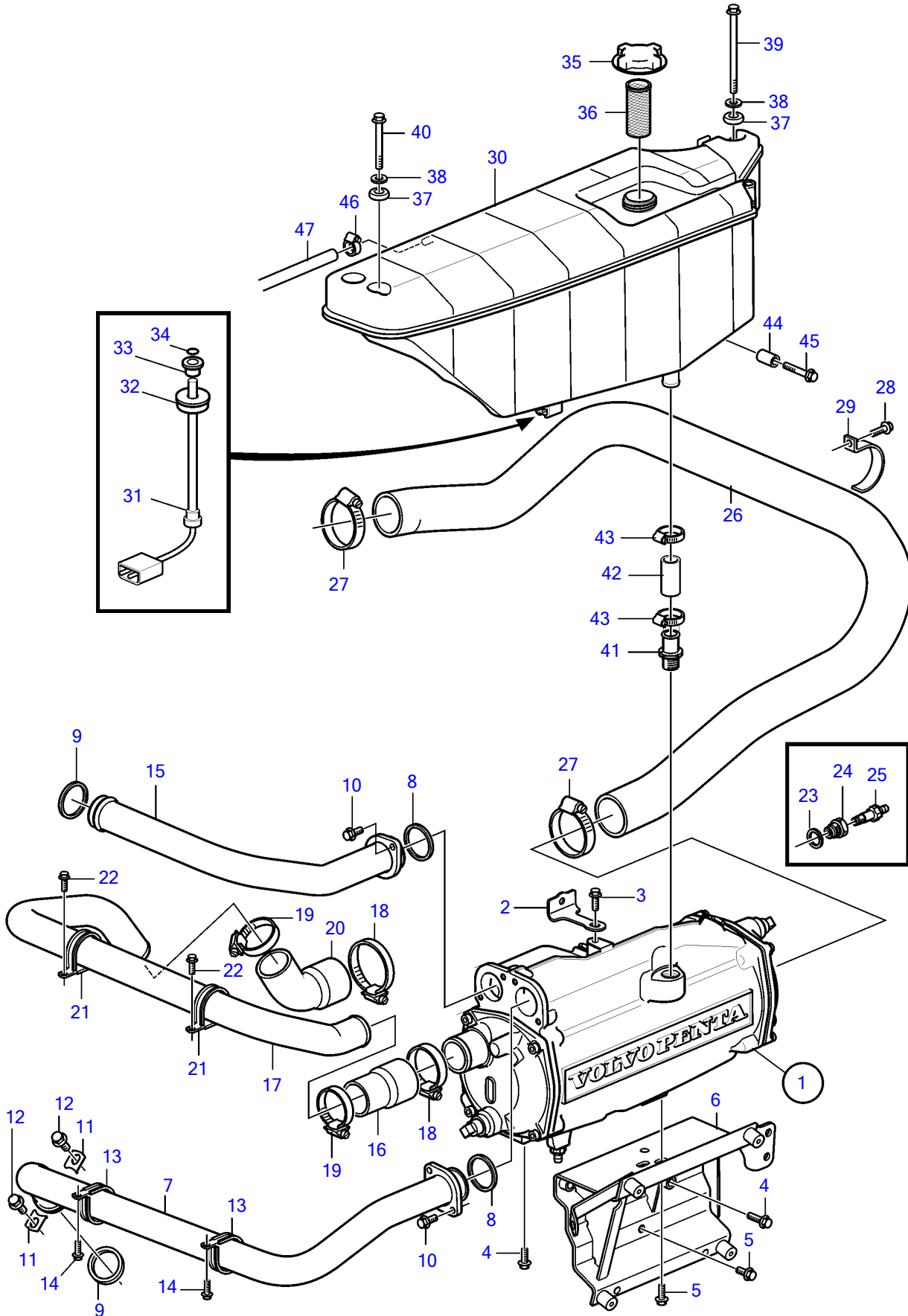


D11A-A, D11A-B, D11A-C, D11A-D



24088

Upd:2012-02-28

24088

7749110-26-22009

D11A-A, D11A-B, D11A-C, D11A-D

REF	PART NO.	QTY	DESCRIPTION	SEE SEC.	NOTES
1		1	Heat exchanger		
			•	22008	
			•		
2	21124738	1	Bracket		
3	946173	1	Flange screw		
4	946671	3	Flange screw		
5	946173	3	Flange screw		
6	21134285	1	Anchorage		
7	3886500	1	Coolant pipe		
8	1547253	2	Sealing ring		
9	864491	2	Gasket		
10	946173	4	Flange screw		
11	1546531	2	Lock brace		
12	946440	2	Flange screw		
13	947457	2	Clamp		
14	967949	2	Flange screw		
15	3836309	1	Coolant pipe		
16	3837438	1	Collar		
17	3886493	1	Pipe		
18	961671	2	Hose clamp		
19	961672	2	Hose clamp		
20	3812324	1	Rubber hose		
21	947457	2	Clamp		
22	967949	2	Flange screw		
23	979099	1	Gasket		
24	3812353	1	Nipple		
25	3583822	1	Draining nipple		
			•	22008	
26	3594835	1	Hose		
27	961672	2	Hose clamp		
28	946544	2	Flange screw		
29	948560	2	Clamp		
30	3885197	1	Expansion tank		Replaced by 21505289
	21505289	1	Expansion tank		
31	3588990	1	• Level sensor		
32		1	• Float		Not as spare part. Only included in expansion tank assy 3885197.
33	3807256	1	• Plug		Not as spare part. Only included in expansion tank assy 3885197.
34	968039	1	• Retainer		Not as spare part. Only included in expansion tank assy 3885197.
35	1674083	1	• Pressure cap		
36	21366063	1	Pipe		
37	3285120	4	Grommet		
38	976944	4	Washer		
39	969225	2	Flange screw		
40	965181	2	Flange screw		
41	990410	1	Hose nipple		
42	969033	X	Rubber hose		L=50mm
43	961667	2	Hose clamp		
44	833243	1	Spacer sleeve		
45	973924	1	Flange screw		
46		1	Clamp	22005	
47		1	Hose	22005	