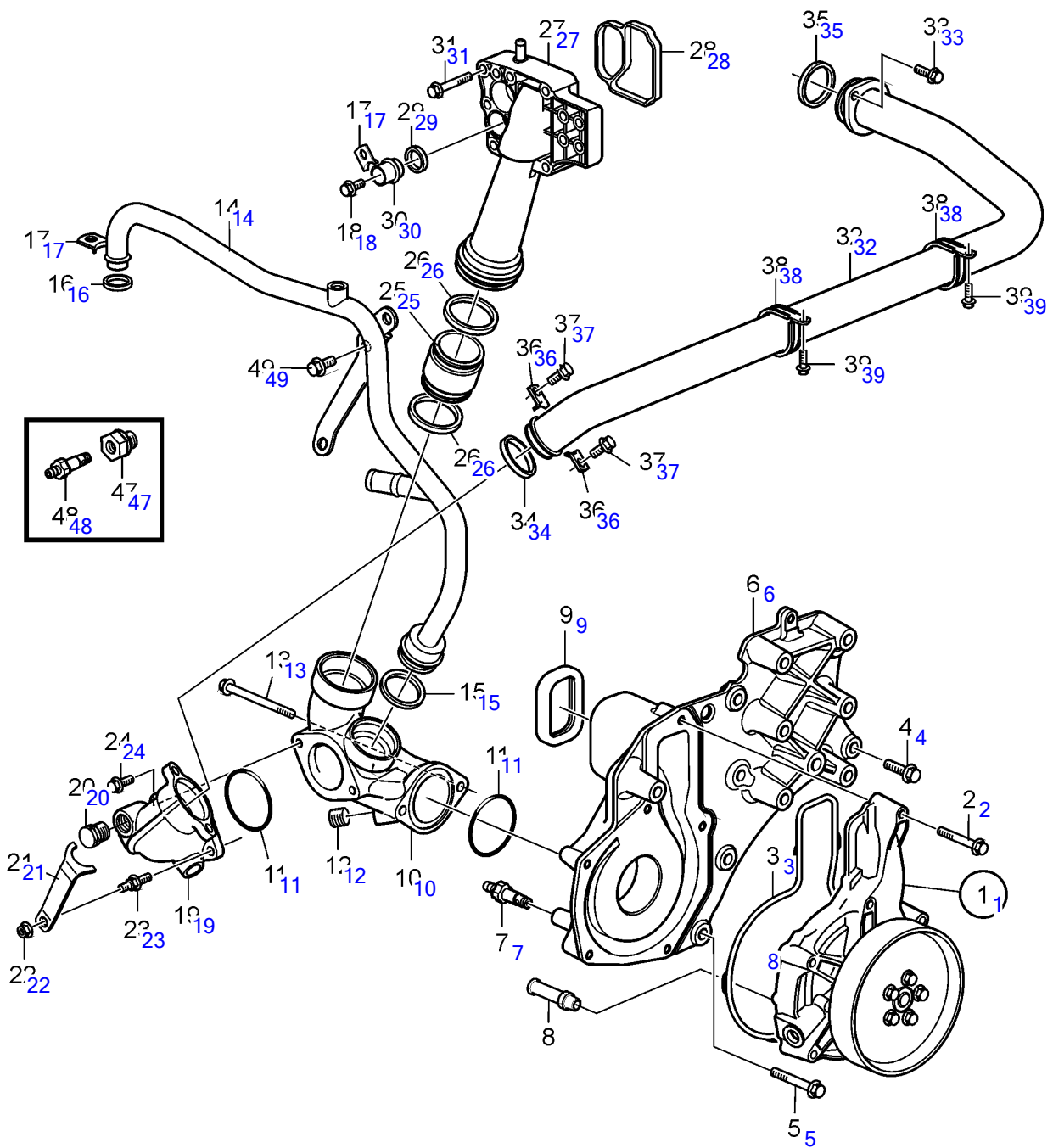
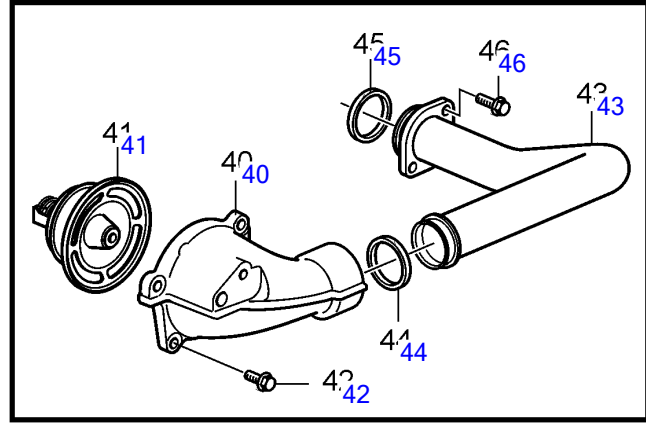


D11A-A, D11A-B, D11A-C, D11A-D



## D11A-A, D11A-B, D11A-C, D11A-D

REF	PART NO.	QTY	DESCRIPTION	NOTES
1	3801102	1	Coolant pump • parts not sold separately	
2	959229	6	Hex. socket screw	
3	8131097	1	Sealing ring	
4	946441	2	Flange screw	L=20mm
5	946472	6	Flange screw	L=30mm
6	3808593	1	Coolant pump housing	
7	3583822	1	Draining nipple	
8	977508	1	Hose nipple	
9	20430678	1	Sealing ring	
10	3836307	1	Coolant pipe	
11	975675	2	O-ring	
12	981763	1	Plug	
13	965184	2	Flange screw	
14	21244966	1	Coolant pipe	
15	1547253	1	Sealing ring	
16	1547252	1	Sealing ring	
17	1546531	2	Lock brace	
18	946440	2	Flange screw	
19	3886496	1	Coolant pipe	
20	982365	1	Plug	
21	3886782	1	Bracket	
22	945408	1	Flange nut	
23	20714050	1	Stud	
24	946440	1	Flange screw	
25	20451178	1	Connection pipe	
26	1547254	2	Sealing ring	
27	20555313	1	Connection pipe	
28	20479636	1	Sealing strip	
29	1547252	1	Sealing ring	
30	20845995	1	Plug	
31	973924	5	Flange screw	
32	3886500	1	Coolant pipe	
33	946173	2	Flange screw	
34	1547253	1	Sealing ring	
35	864491	1	Gasket	
36	1546531	2	Lock brace	
37	946440	2	Flange screw	
38	947457	2	Clamp	
39	967949	2	Flange screw	
40	3588673	1	Cover	
41	21412647	1	Thermostat	76°C
42	946173	4	Flange screw	
43	3836309	1	Coolant pipe	
44	1547253	1	Sealing ring	
45	864491	1	Gasket	
46	946173	2	Flange screw	
47	3812353	1	Nipple	
48	3583822	1	Draining nipple	
49	946471	1	Flange screw	

7749110-26-22010

24131

Upd:2012-02-28