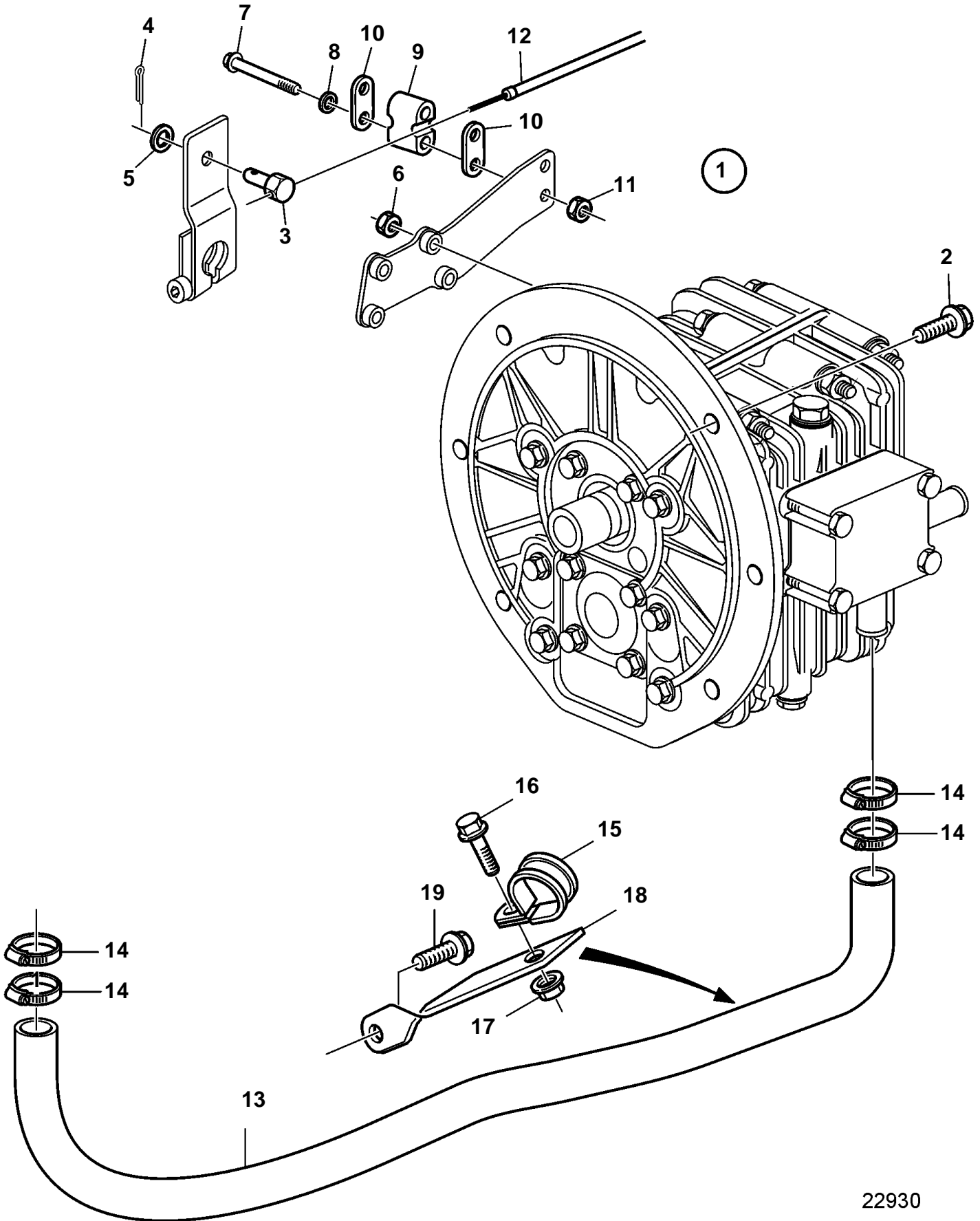


D1-30A, D1-30B, D2-40A, D2-40B, D1-30F, D2-40F



22930

D1-30A, D1-30B, D2-40A, D2-40B, D1-30F, D2-40F

| REF | PART NO. | QTY | DESCRIPTION | SEE SEC. | NOTES |
|-----|----------|-----|----------------------|----------|-----------------------|
| 1 | 3809120 | 1 | Reversing gear kit | | MS10A-B, ratio 2.35:1 |
| | 3809122 | 1 | Reversing gear kit | | MS10L-B, ratio 2.35:1 |
| | 3809124 | 1 | Reversing gear kit | | MS15A-B, ratio 2.14:1 |
| | 3809125 | 1 | Reversing gear kit | | MS15A-B, ratio 2.63:1 |
| | 3809126 | 1 | Reversing gear kit | | MS15L-B, ratio 2.14:1 |
| | 3809127 | 1 | Reversing gear kit | | MS15L-B, ratio 2.63:1 |
| 2 | 946329 | 6 | Flange screw | | |
| 3 | 3852329 | 1 | Cube | | |
| 4 | 17276 | 1 | Split pin | | |
| 5 | 941906 | 1 | Spring washer | | |
| 6 | 945467 | 1 | Lock nut | | |
| 7 | 969439 | 2 | 6 point socket screw | | |
| 8 | 940090 | 2 | Washer | | |
| 9 | 872074 | 2 | Retainer | | |
| 10 | 872076 | 2 | Washer | | |
| 11 | 949874 | 2 | Flange lock nut | | |
| 12 | | 1 | shift cable | 231 | |
| 13 | 3583866 | 1 | Hose | | |
| 14 | 961666 | 4 | Hose clamp | | |
| 15 | 952637 | 1 | Clamp | | |
| 16 | 946934 | 1 | Flange screw | | |
| 17 | 945407 | 1 | Flange nut | | |
| 18 | 354842 | 1 | Bracket | | |
| 19 | | 1 | Flange screw | | |