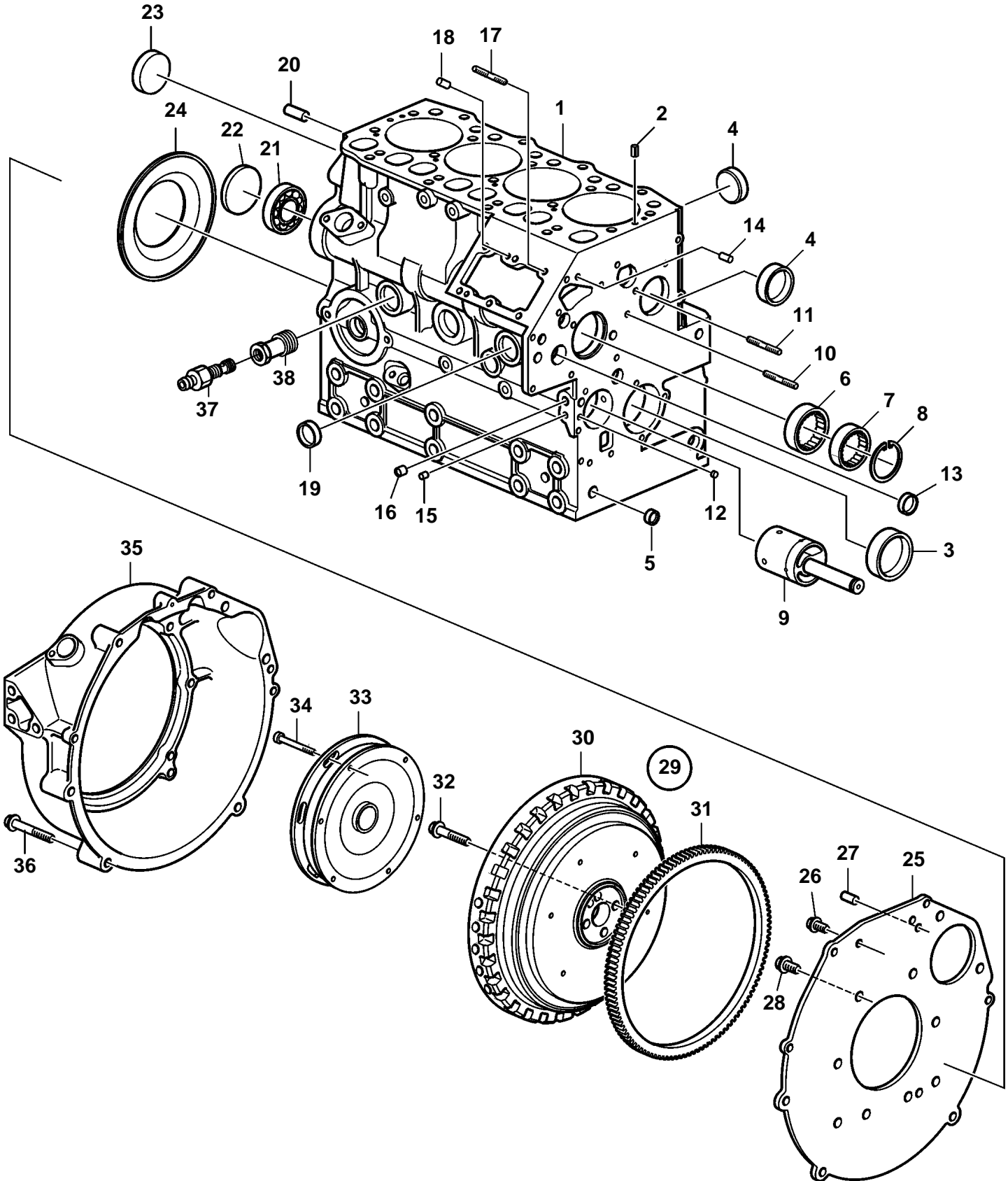


D2-40A, D2-40B



24010

D2-40A, D2-40B

REF	PART NO.	QTY	DESCRIPTION	NOTES
1		1	Cylinder block	
2	861818	2	Spring pin	
3	3812412	1	Bushing	
4	3583697	5	Plug	
5	3580455	2	Plug	
6	3886440	1	Bearing	
7	861814	1	Bearing	
8	3580226	1	Lock ring	
9	3580283	1	Shaft	
10	3583708	1	Stud	
11	3583709	1	Stud	
12	861806	3	Plug	
13	3580455	2	Plug	
14		2	Dowel	
15	3807215	1	Plug	
16	861805	1	Plug	
17	3812420	3	Stud	
18		2	Pin	
19	3886427	1	Cardboard tube	
20		2	Pin	
21	861812	1	Bearing	
22	861813	1	Expansion plug	
23	3583696	2	Plug	
24	3812417	1	Seal	
25	3818600	1	Rear plate	
26	946440	2	Flange screw	
27		2	Pin	
28	946441	8	Flange screw	
29	3840880	1	Flywheel	Complete
30		1	· Flywheel	
31	3580354	1	· Gear ring	
32	3580355	4	Screw	
33	3840422	1	Vibration damper	
34	959211	6	Hex. socket screw	
35	3818550	1	Flywheel housing	
36	965216	4	Flange screw	
37	3583822	1	Draining nipple	
38	3884541	1	Adapter	