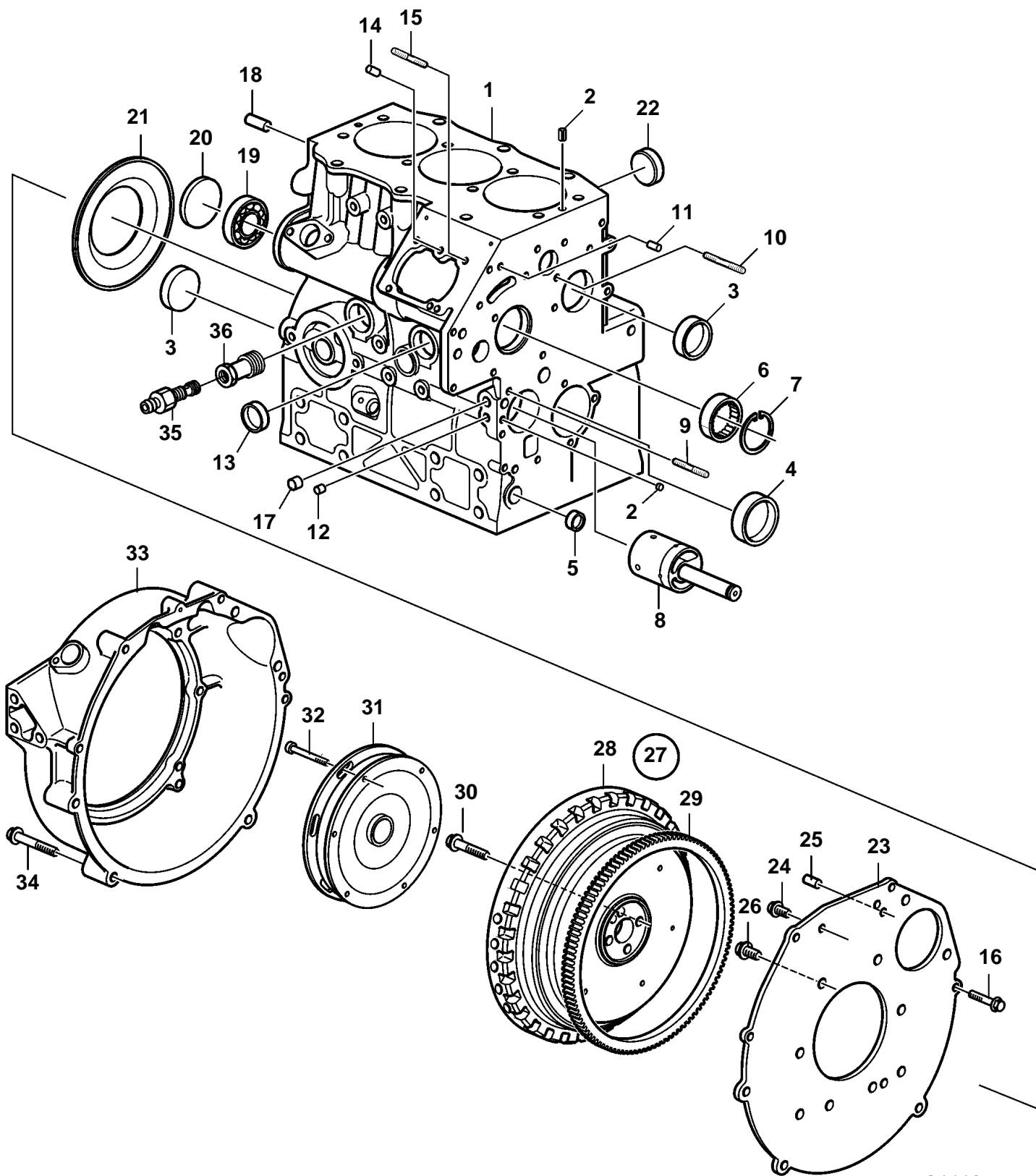


D1-30F



24419

D1-30F

| REF | PART NO. | QTY | DESCRIPTION         | NOTES    |
|-----|----------|-----|---------------------|----------|
| 1   |          | 1   | Cylinder block      |          |
| 2   | 861818   | 2   | Spring pin          |          |
| 3   | 3583697  | 2   | Plug                |          |
| 4   | 21191694 | 1   | Bushing             |          |
| 5   | 3886427  | 2   | Cardboard tube      |          |
| 6   | 861814   | 1   | Bearing             |          |
| 7   | 3580226  | 1   | Lock ring           |          |
| 8   | 3580283  | 1   | Shaft               |          |
| 9   | 3583709  | 1   | Stud                |          |
| 10  | 3583708  | 1   | Stud                |          |
| 11  |          | 2   | Dowel               |          |
| 12  | 3807215  | 4   | Plug                |          |
| 13  | 3583696  | 1   | Plug                |          |
| 14  |          | 2   | Pin                 |          |
| 15  | 3812420  | 2   | Stud                |          |
| 16  | 965220   | 2   | Flange screw        |          |
| 17  | 861806   | 4   | Plug                |          |
| 18  |          | 2   | Pin                 |          |
| 19  | 11010    | 1   | Ball bearing        |          |
| 20  | 861813   | 1   | Expansion plug      |          |
| 21  | 3812417  | 1   | Seal                |          |
| 22  | 21281430 | 2   | Plug                |          |
| 23  | 3818600  | 1   | Rear plate          |          |
| 24  | 946440   | 1   | Flange screw        |          |
| 25  |          | 2   | Pin                 |          |
| 26  | 946441   | 8   | Flange screw        |          |
| 27  | 3840879  | 1   | Flywheel            | Complete |
| 28  |          | 1   | · Flywheel          |          |
| 29  | 3580354  | 1   | · Gear ring         |          |
| 30  | 3580355  | 6   | Screw               |          |
| 31  | 3840422  | 1   | Vibration damper    |          |
| 32  | 959211   | 6   | · Hex. socket screw |          |
| 33  | 21140575 | 1   | Flywheel housing    |          |
| 34  | 965216   | 4   | Flange screw        |          |
| 35  | 3583822  | 1   | Draining nipple     |          |
| 36  | 3884541  | 1   | Adapter             |          |