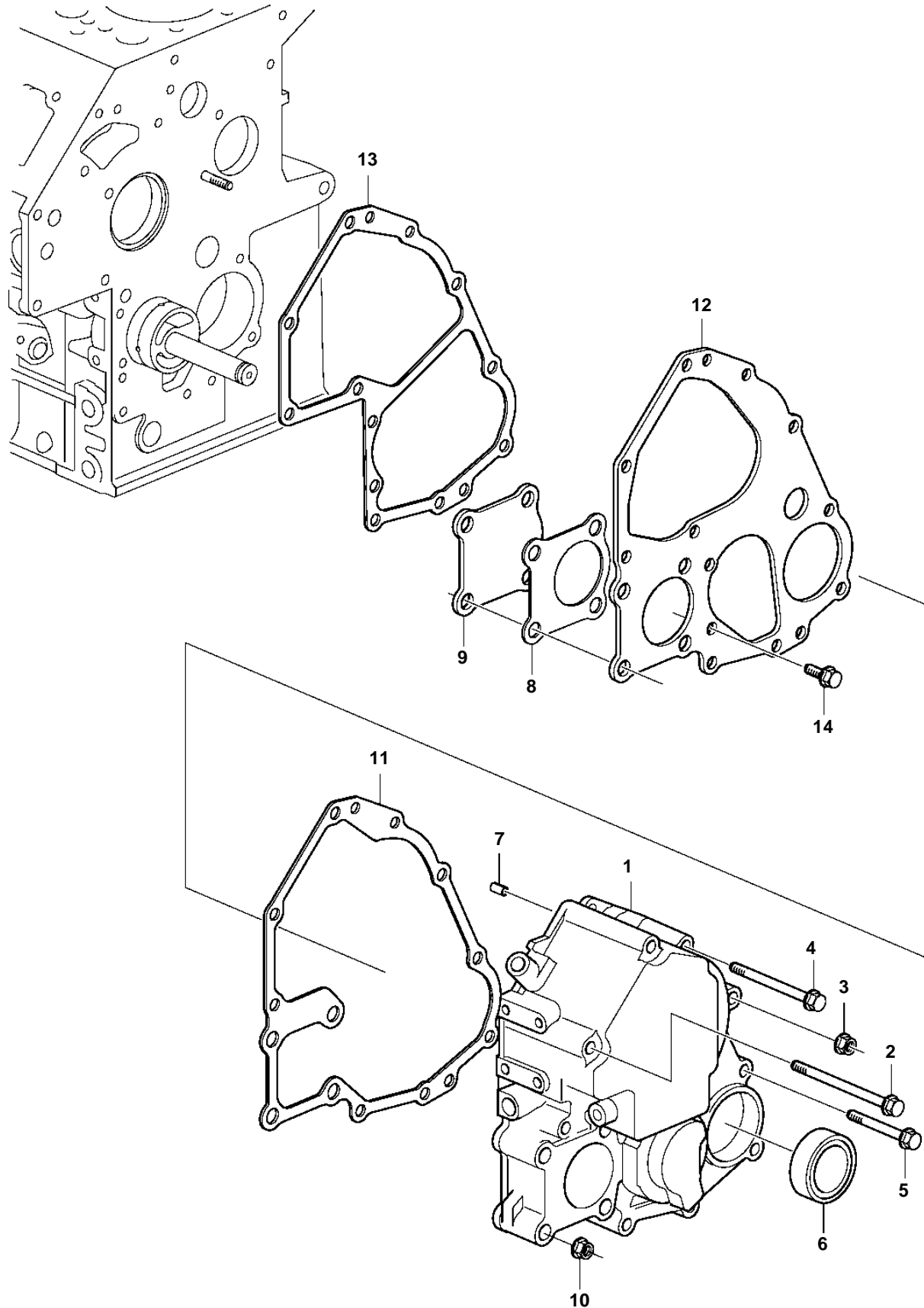


D1-13A, D1-13B, D1-20A, D1-20B



22873

D1-13A, D1-13B, D1-20A, D1-20B

REF	PART NO.	QTY	DESCRIPTION
1	3840894	1	Timing gear casing
2	861899	2	Screw
3	945407	1	Flange nut
4	965178	2	Flange screw
5	3580053	4	Screw
6	3580026	1	Sealing ring
7		1	Tensioning din
8	3886424	1	Cardboard tube
9	3580060	1	Gasket
10	948645	4	Flange lock nut
11	3580025	1	Gasket
12	3886393	1	Plate
13	861536	1	Gasket
14	861526	3	Screw