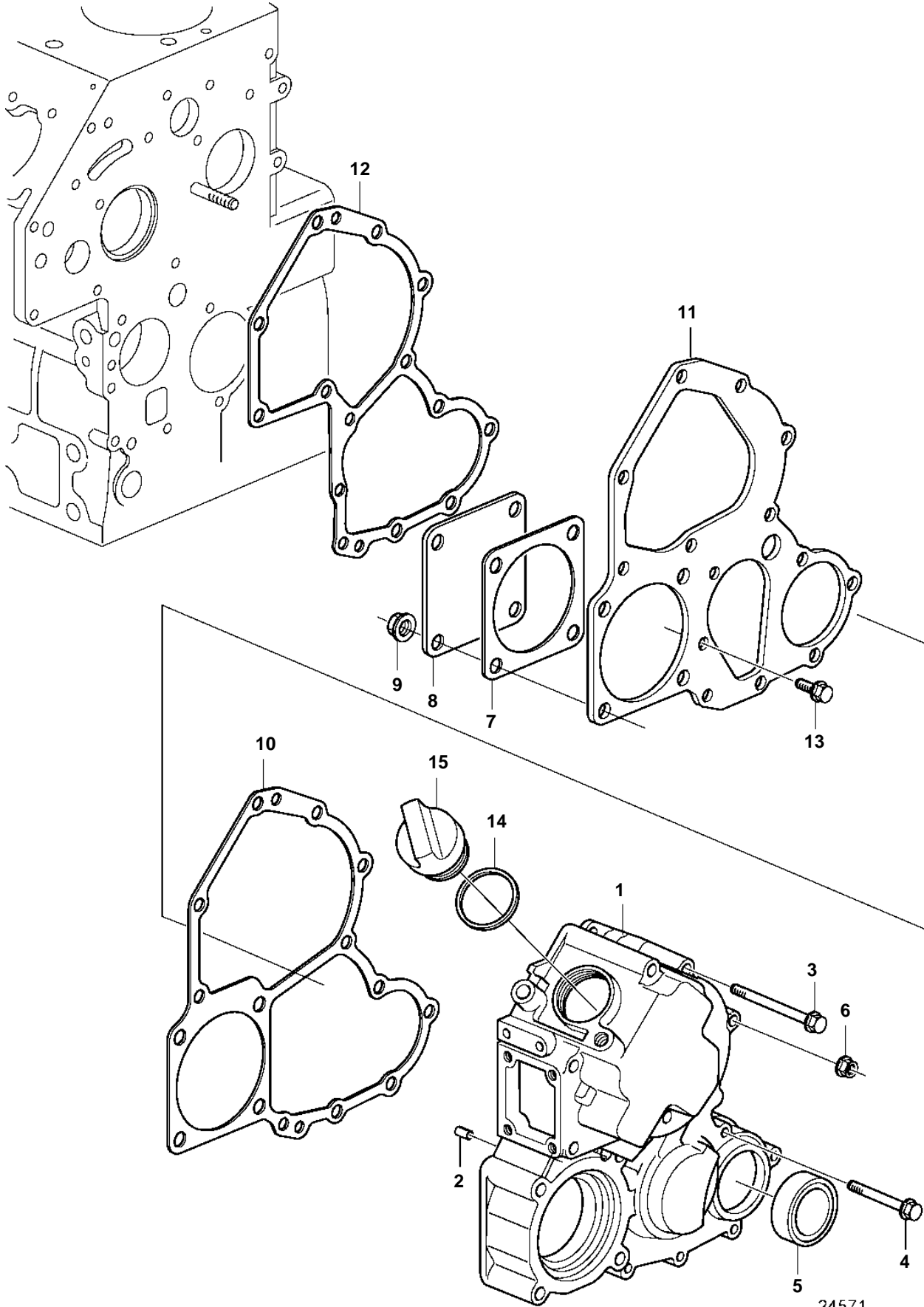


D2-40F



24571

D2-40F

REF	PART NO.	QTY	DESCRIPTION
1	21193263	1	Timing gear casing
2		1	· Tensioning din
3	965178	3	Flange screw
4	3580053	5	Screw
5	3580026	1	Sealing ring
6	945407	1	Flange nut
7	21193274	1	Gasket
8	21193270	1	Cover
9	948645	4	Flange lock nut
10	3580374	1	Gasket
11	3812198	1	Plate
12	3580360	1	Gasket
13	861526	3	Screw
14	3886406	1	Sealing
15	3809653	1	Oil filler cap