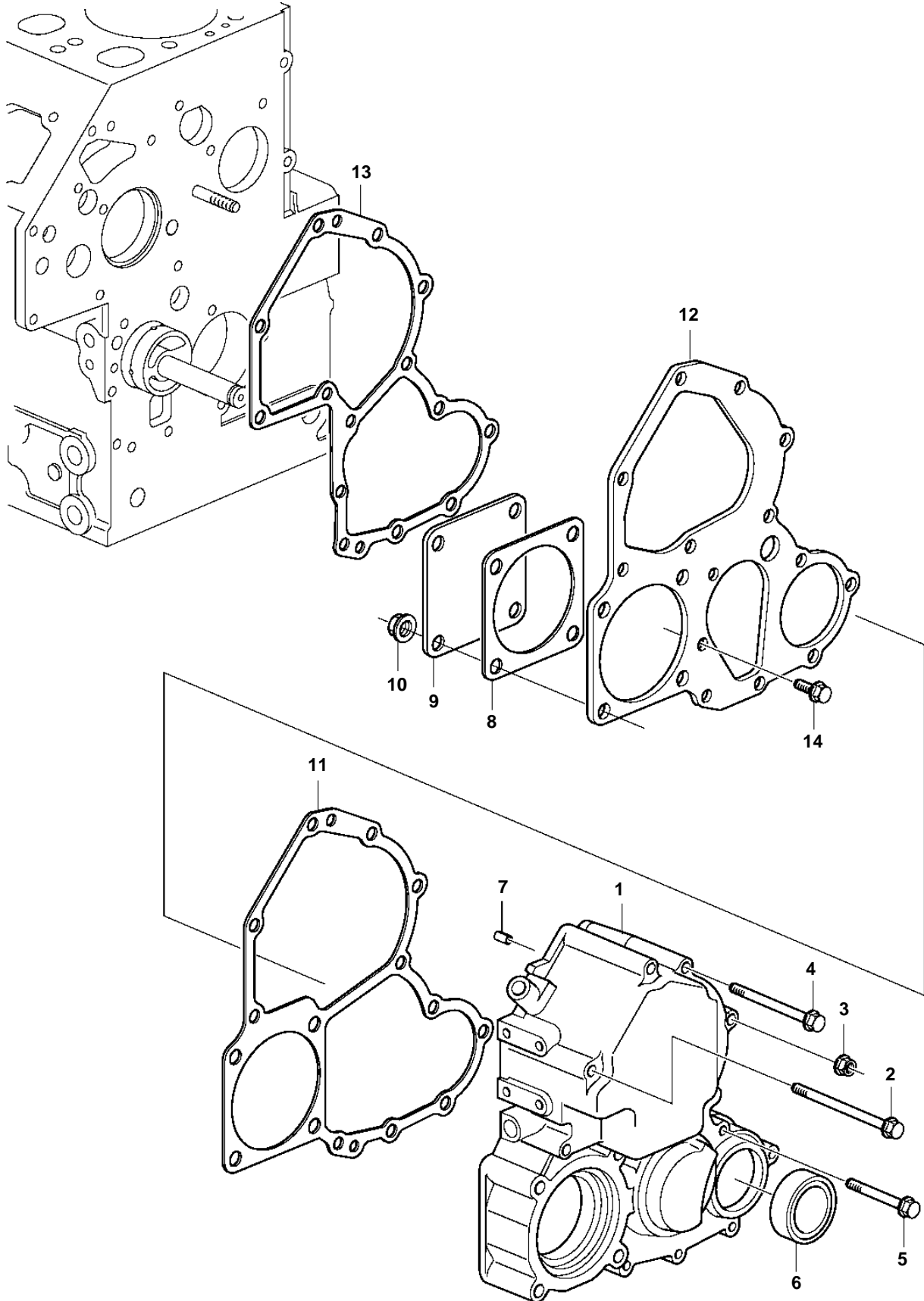


D2-40A, D2-40B



22646

D2-40A, D2-40B

| REF | PART NO. | QTY | DESCRIPTION        |
|-----|----------|-----|--------------------|
| 1   | 3840895  | 1   | Timing gear casing |
| 2   | 861899   | 2   | Screw              |
| 3   | 945407   | 1   | Flange nut         |
| 4   | 965178   | 3   | Flange screw       |
| 5   | 3580053  | 5   | Screw              |
| 6   | 3580026  | 1   | Sealing ring       |
| 7   |          | 1   | Tensioning din     |
| 8   | 3580378  | 1   | Gasket             |
| 9   | 21193270 | 1   | Cover              |
| 10  | 948645   | 4   | Flange lock nut    |
| 11  | 3580374  | 1   | Gasket             |
| 12  | 3812198  | 1   | Plate              |
| 13  | 3580360  | 1   | Gasket             |
| 14  | 861526   | 3   | Screw              |