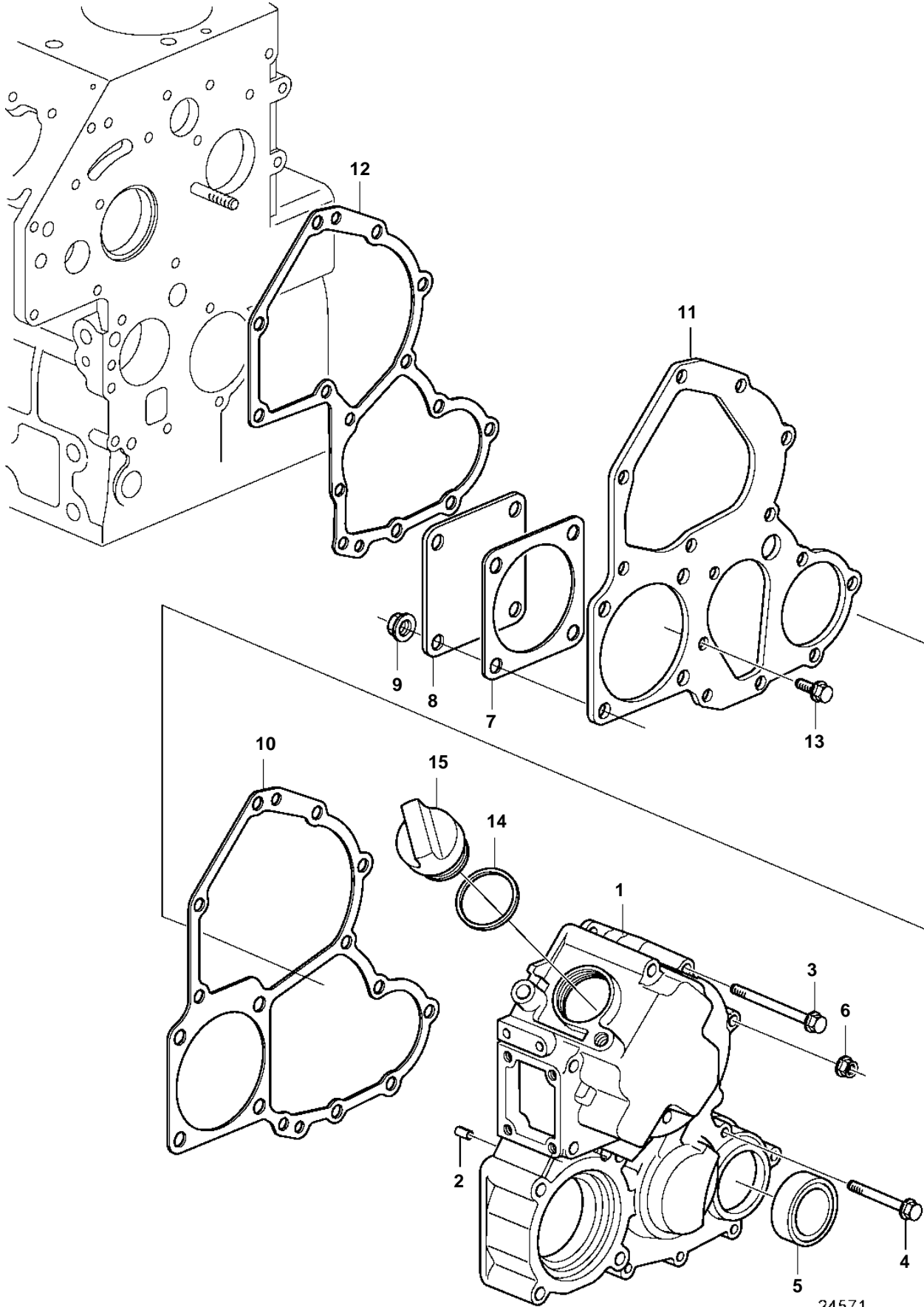


D1-30F



24571

D1-30F

REF	PART NO.	QTY	DESCRIPTION
1	21249577	1	Timing gear casing
2	945407	1	Flange nut
3	965178	5	Flange screw
4	3580053	5	Screw
5	21189037	1	Sealing
6		1	Tensioning din
7	3580378	1	Gasket
8	21193270	1	Cover
9	948645	4	Flange lock nut
10	3580374	1	Gasket
11	21191683	1	Front plate
12	3580360	1	Gasket
13	861526	3	Screw
14	3886406	1	Sealing
15	3809653	1	Oil filler cap