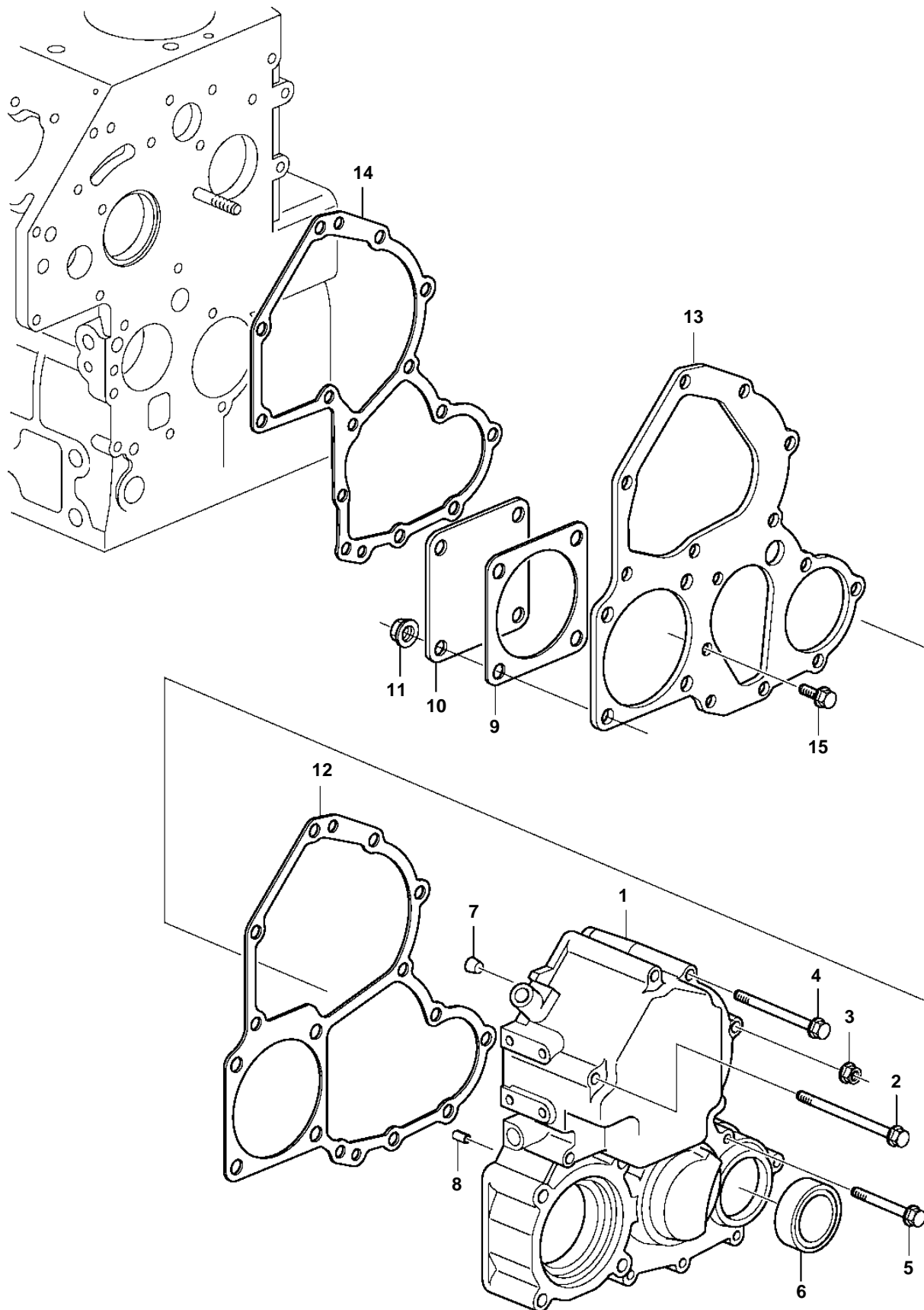


D1-30A, D1-30B



22867

D1-30A, D1-30B

REF	PART NO.	QTY	DESCRIPTION
1	3840895	1	Timing gear casing
2	861899	2	Screw
3	945407	1	Flange nut
4	965178	3	Flange screw
5	3580053	5	Screw
6	3580026	1	Sealing ring
7	3884536	1	Plug
8		1	Tensioning din
9	3580378	1	Gasket
10	21193270	1	Cover
11	948645	4	Flange lock nut
12	3580374	1	Gasket
13	3812198	1	Plate
14	3580360	1	Gasket
15	861526	3	Screw