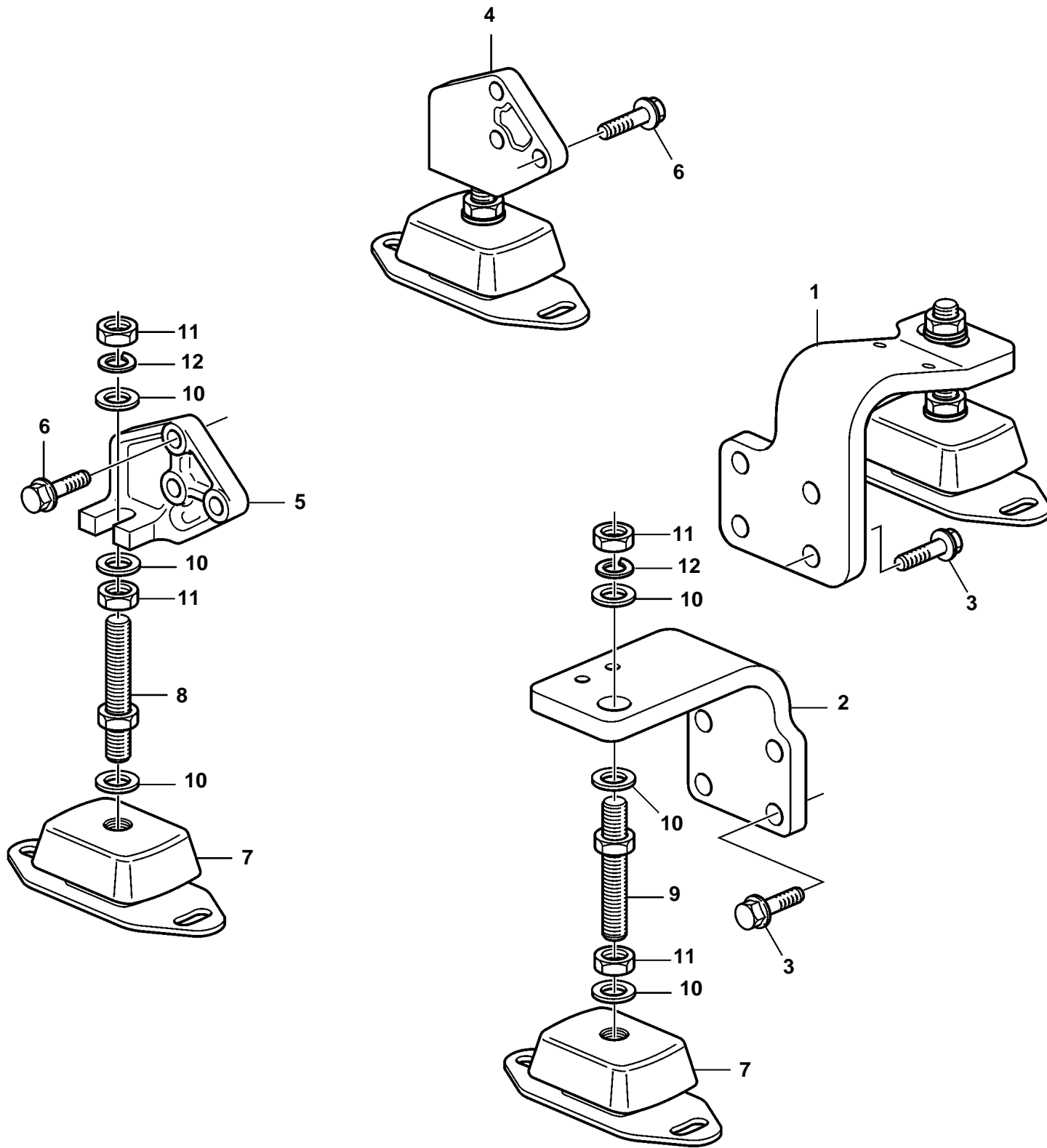


D1-20A, D1-20B, D1-20F



22890

D1-20A, D1-20B, D1-20F

| REF | PART NO. | QTY | DESCRIPTION | NOTES |
|-----|----------|-----|-----------------------|---------------------------|
| 1 | 3812710 | 1 | Engine bracket, front | Port |
| 2 | 3819404 | 1 | Engine bracket, front | Starboard, D1-20A, D1-20B |
| | 21107579 | 1 | Engine bracket, front | Starboard, D1-20F |
| 3 | 984698 | 8 | Hexagon screw | D1-20A, D1-20B |
| | 946329 | 8 | Flange screw | D1-20F |
| 4 | 3812733 | 1 | Engine bracket, rear | Port |
| 5 | 3817030 | 1 | Engine bracket, rear | Starboard |
| 6 | 965185 | 6 | Flange screw | |
| 7 | 3888807 | 4 | Rubber cushion | |
| 8 | 3817628 | 2 | Adjusting screw | Port |
| 9 | 861431 | 2 | Adjusting screw | Starboard |
| 10 | 945094 | 12 | Washer | |
| 11 | 955821 | 8 | Hexagon nut | |
| 12 | 941912 | 4 | Spring washer | |