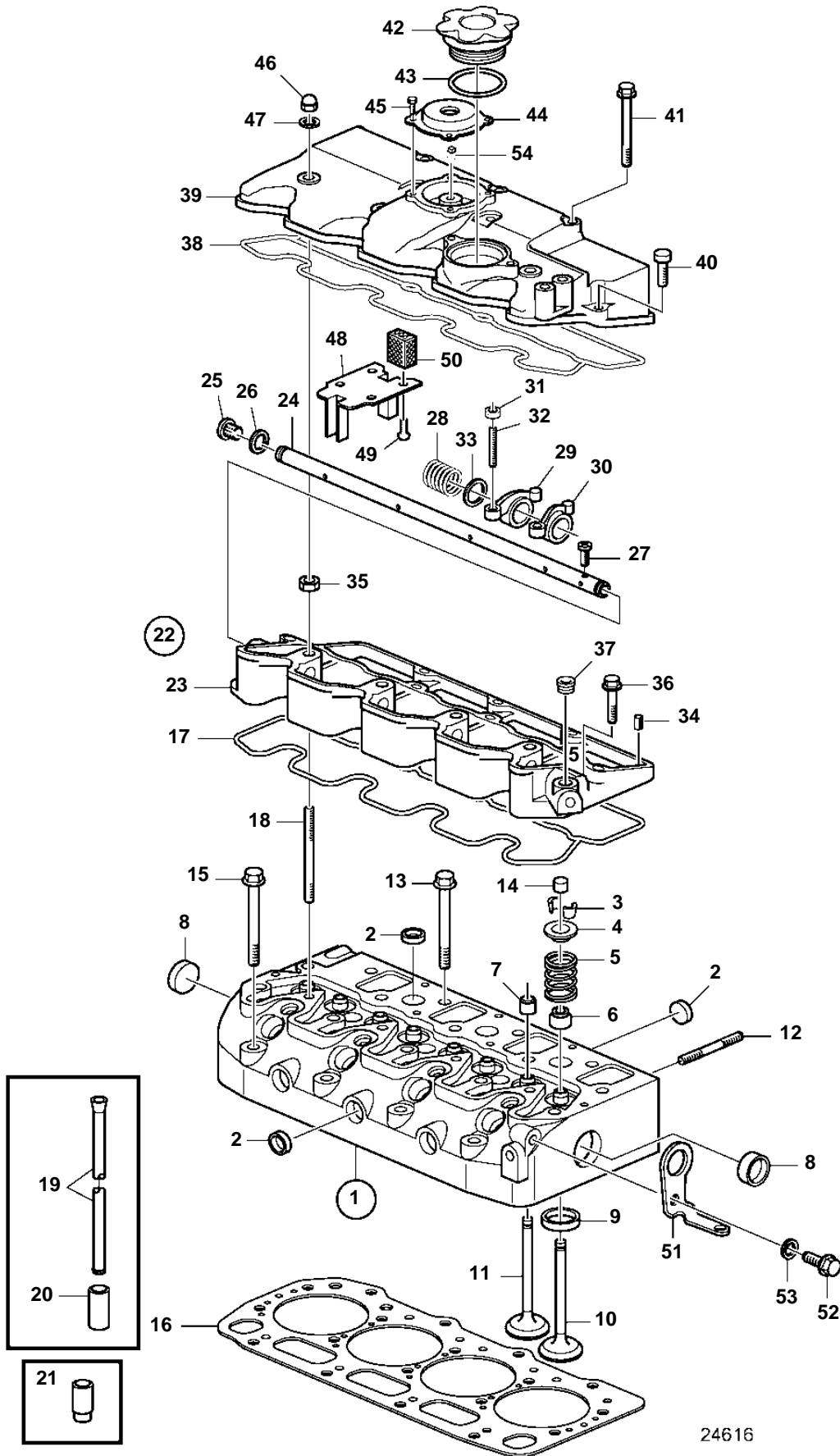


D2-40A, D2-40B, D2-40F



D2-40A, D2-40B, D2-40F

| REF | PART NO. | QTY | DESCRIPTION | NOTES |
|-----|----------|-----|-----------------------|--|
| 1 | 3803894 | 1 | Cylinder head, exch | D2-40A, D2-40B |
| | 3801332 | 1 | Cylinder head, exch | D2-40F |
| 2 | 3886428 | 9 | · Cardboard tube | |
| 3 | 3580308 | 16 | · Valve cone | |
| 4 | 3580307 | 8 | · Valve spring washer | |
| 5 | 3580964 | 8 | · Valve spring | |
| 6 | 3580306 | 4 | · Valve stem seal | |
| 7 | 3580305 | 4 | · Valve stem seal | |
| 8 | 3886441 | 2 | · Plug | |
| 9 | 3809624 | 4 | · Valve seat | |
| 10 | 3884528 | 4 | · Inlet valve | |
| 11 | 3580304 | 4 | · Exhaust valve | |
| 12 | 3583709 | 2 | Stud | |
| 13 | 3580310 | 14 | Screw | |
| 14 | 21250646 | 8 | Valve cap | |
| 15 | 3580311 | 4 | Screw | |
| 16 | 3840843 | 1 | Cylinder head gasket | TH = 1.2mm, D2-40A, D2-40B, Replaced by 21192973 |
| | 21192973 | 1 | Gasket | TH = 1.2mm |
| | 3889517 | 1 | Cylinder head gasket | Replaced by 21192974 |
| | 21192974 | 1 | Gasket | TH = 1.3mm |
| 17 | 3812432 | 1 | Gasket | |
| 18 | 861885 | 4 | Stud | |
| 19 | 3884533 | 8 | Push rod | D2-40A |
| | 3812433 | 8 | Push rod | D2-40B, D2-40F |
| 20 | 861827 | 6 | Tappet | |
| 21 | 888184 | 2 | Valve tappet | |
| 22 | 3812427 | 1 | Rocker arm | Complete |
| 23 | | | · Bracket | |
| 24 | 3886081 | 1 | · Rocker arm shaft | |
| 25 | 3884532 | 1 | · Plug | |
| 26 | 3884530 | 1 | · O-ring | |
| 27 | 3884531 | 1 | · Screw | |
| 28 | 3580315 | 3 | · Spring | |
| 29 | 3581292 | 4 | · Rocker arm | |
| 30 | 3581291 | 4 | · Rocker arm | |
| 31 | 861878 | 8 | · Nut | |
| 32 | 861877 | 8 | · Screw | |
| 33 | 861883 | 6 | · Adjusting washer | |
| 34 | 3886069 | 2 | · Pin | |
| 35 | 21246409 | 4 | Flange nut | |
| 36 | 3840802 | 2 | Screw | |
| 37 | 3809690 | 1 | Plug | |
| 38 | 3887222 | 1 | Gasket | |
| 39 | 3840858 | 1 | Valve cover | D2-40A, D2-40B |
| | 21192977 | 1 | Valve cover | D2-40F |
| 40 | 3840802 | 2 | Screw | |
| 41 | 861899 | 5 | Screw | |
| 42 | 21311518 | 1 | Cover | |
| 43 | 861897 | 1 | O-ring | |
| 44 | 3583660 | 1 | Breather pipe | |
| 45 | 3583659 | 4 | Screw | |
| 46 | 3580241 | 4 | Nut | |
| 47 | 11992 | 4 | Gasket | |
| 48 | 3884547 | 1 | Retaining plate | |
| 49 | 3583663 | 4 | Screw | |
| 50 | 3580320 | 1 | Filter | |
| 51 | | 1 | Lifting eye | (861869) |
| 52 | 946173 | 1 | Flange screw | D2-40A, D2-40B |
| | 946440 | 1 | Flange screw | D2-40F |
| 53 | 21246676 | 1 | Washer | |
| 54 | 3580364 | 1 | Plug | |