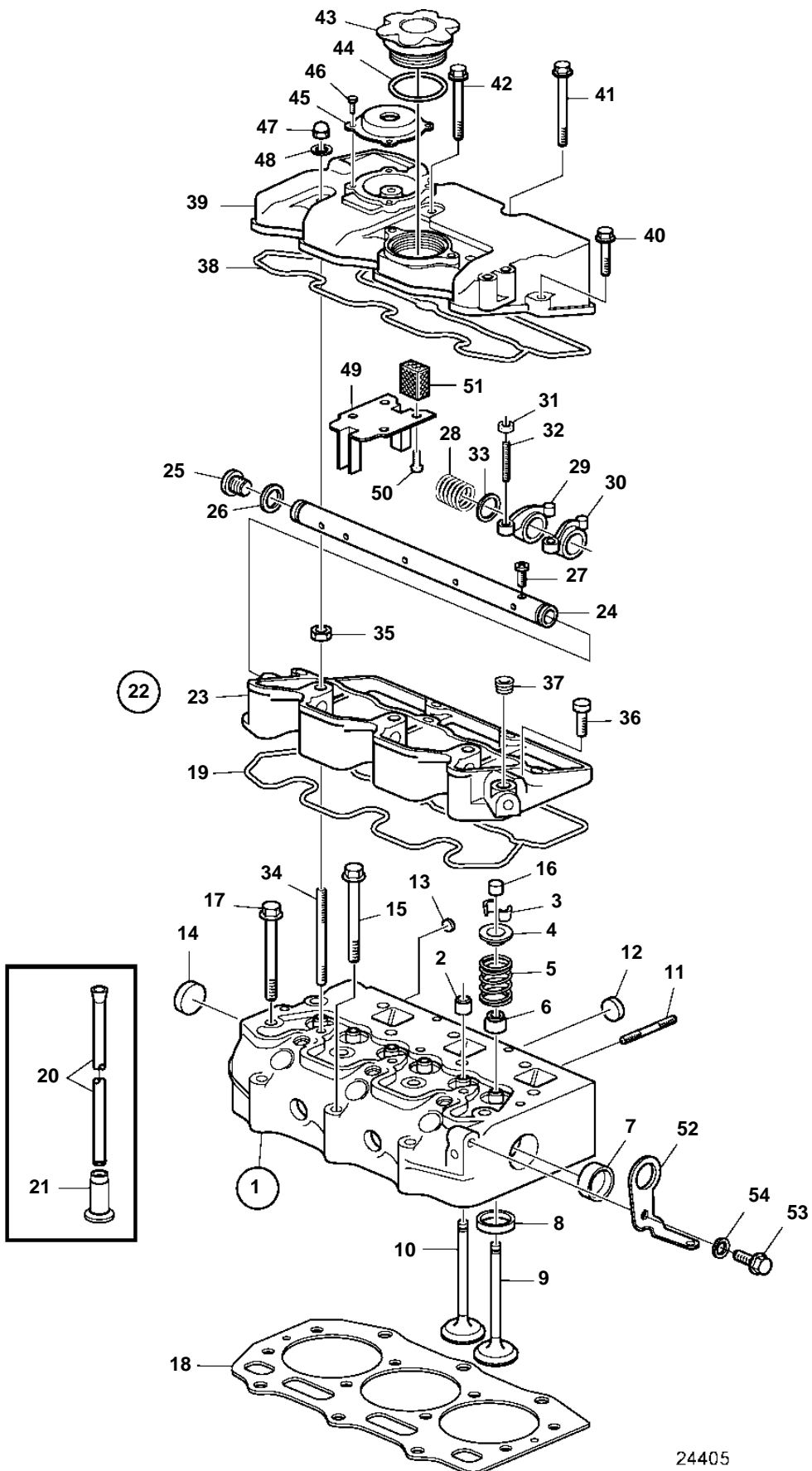


D1-30A, D1-30B, D1-30F



24405

D1-30A, D1-30B, D1-30F

REF	PART NO.	QTY	DESCRIPTION	NOTES
1	3803893	1	Cylinder head, exch	D1-30A, D1-30B
	3801331	1	Cylinder head, exch	D1-30F
2	3580305	3	· Valve stem seal	
3	3580308	12	· Valve cone	
4	3580307	6	· Valve spring washer	
5	3580964	6	· Valve spring	
6	3580306	3	· Valve stem seal	
7	3886441	1	· Plug	
8	3809624	3	· Valve seat	
9	3884528	3	· Inlet valve	
10	3580304	3	· Exhaust valve	
11	3812419	2	· Stud	
12	3886428	6	· Cardboard tube	
13	3886427	2	· Cardboard tube	
14	3886441	1	· Plug	
15	3580311	3	Screw	
16	21250646	6	Valve cap	
17	3580310	11	Screw	
18	3840842	1	Cylinder head gasket	T=1,3mm
	3812199	1	Gasket	TH = 1.2mm, D1-30F
19	3812197	1	Gasket	
20	3884533	6	Push rod	D1-30A
	3812433	6	Push rod	D1-30B, D1-30F
21	861827	6	Tappet	D1-30A, D1-30B
	3580464	6	Tappet	D1-30F
22	3840882	1	Rocker arm	Complete
23		1	· Bracket	
24	3884529	1	· Rocker arm shaft	
25	3884532	1	· Plug	
26	3884530	1	· O-ring	
27	3884531	1	· Screw	
28	3580315	2	· Spring	
29	3581292	3	· Rocker arm	
30	3581291	3	· Rocker arm	
31	861878	6	· Nut	
32	861877	6	· Screw	
33	861883	4	· Adjusting washer	
34	861885	3	· Stud	
35	21246409	3	· Flange nut	
36	3840802	2	· Screw	
37	3809690	1	Plug	
38	3884548	1	Gasket	
39	3840854	1	Valve cover	
40	3840802	2	Screw	
41	965178	2	Flange screw	
42	861899	1	Screw	
43	21311518	1	Cover	
44	861897	1	O-ring	
45	3583660	1	Breather pipe	
46	3583659	4	Screw	
47	3580241	3	Nut	
48	11992	3	Gasket	
49	3884547	1	Retaining plate	
50	3583663	6	Screw	
51	3580320	1	Filter	
52		1	Lifting eye	(861869)
53	946440	1	Flange screw	
54	21246676	1	Washer	