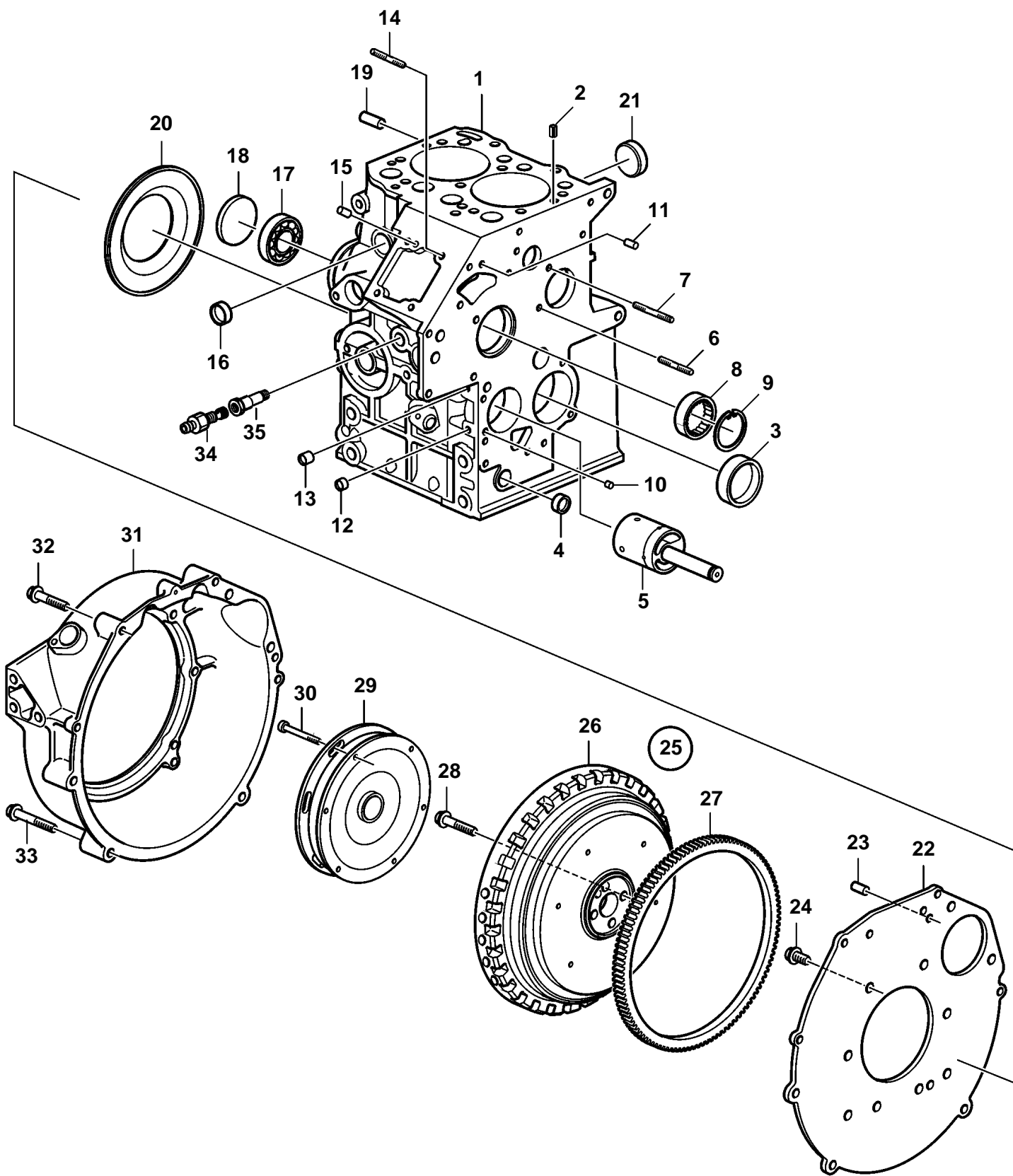


D1-13A, D1-13B



24009

D1-13A, D1-13B

REF	PART NO.	QTY	DESCRIPTION	NOTES
1		1	Cylinder block	
2	861818	2	Spring pin	
3	21185006	1	Bushing	(3809705)
4	3886427	1	Cardboard tube	
5	861807	1	Shaft	
6	3583709	1	Stud	
7	861820	1	Stud	
8	861814	1	Bearing	
9	3580226	1	Lock ring	
10	861805	1	Plug	
11		2	Dowel	
12	3807215	1	Plug	
13	861806	4	Plug	
14	3812420	2	Stud	
15		2	Pin	
16	3886428	1	Cardboard tube	
17	861812	1	Bearing	
18	861813	1	Expansion plug	
19		2	Pin	
20	861823	1	Sealing ring	
21	3886429	3	Plug blank	
22	3818597	1	Rear plate	
23		2	Pin	
24	946440	10	Flange screw	
25	3840880	1	Flywheel	Complete
26		1	· Flywheel	
27	861973	1	· Gear ring	
28	861974	4	Screw	
29	3840422	1	Vibration damper	
30	959211	6	Hex. socket screw	
31	3818550	1	Flywheel housing	
32	946671	1	Flange screw	
33	965216	5	Flange screw	
34	3583822	1	Draining nipple	
35	3886423	1	Adapter	