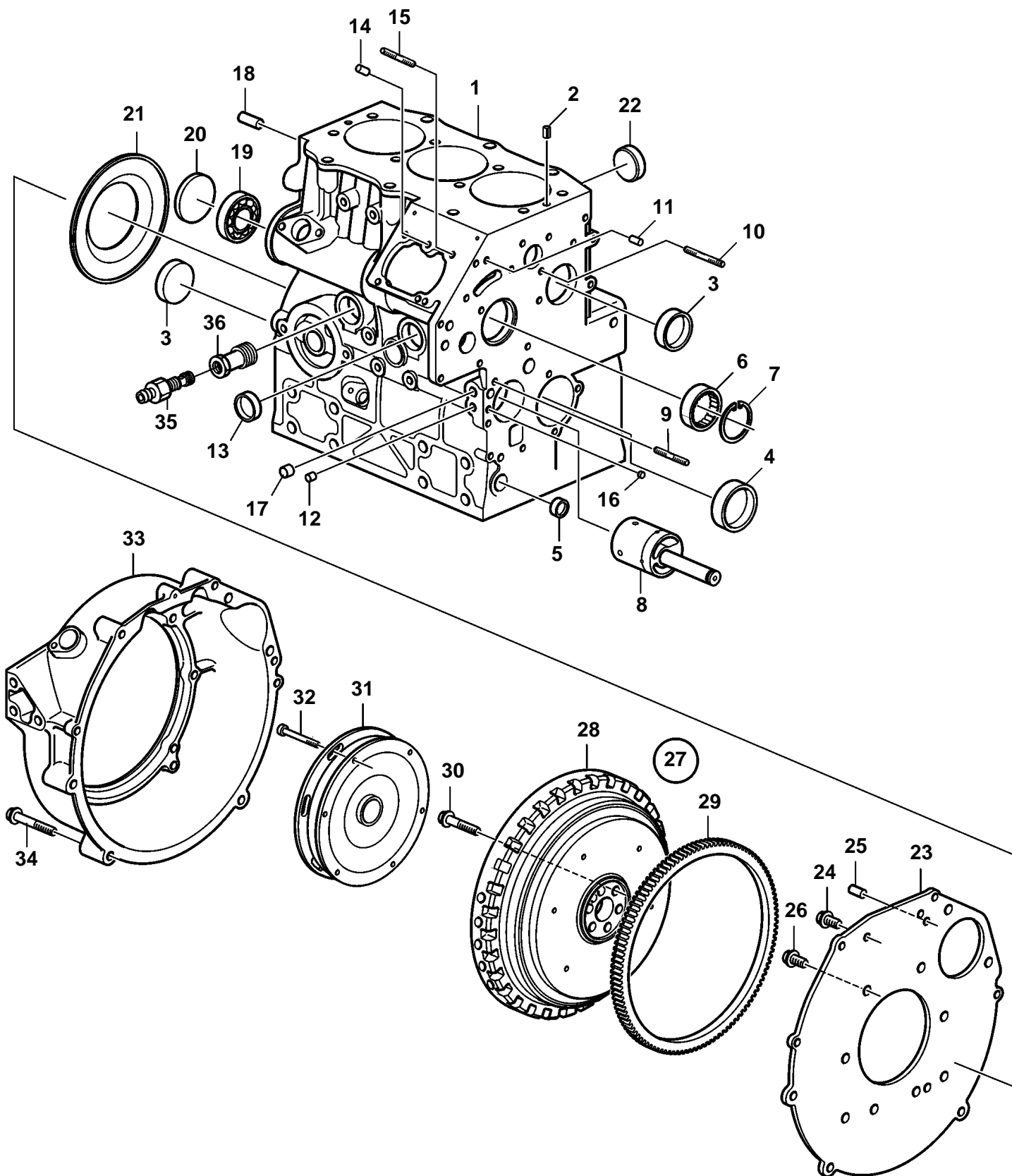


D1-30A, D1-30B



24011

D1-30A, D1-30B

REF	PART NO.	QTY	DESCRIPTION	NOTES
1		1	Cylinder block	
2	861818	2	Spring pin	
3	3583697	2	Plug	
4	3812412	1	Bushing	
5	3886427	2	Cardboard tube	
6	861814	1	Bearing	
7	3580226	1	Lock ring	
8	3580283	1	Shaft	
9	3583709	1	Stud	
10	3583708	1	Stud	
11		2	Dowel	
12	3807215	4	Plug	
13	3583696	1	Plug	
14		2	Pin	
15	3812420	2	Stud	
16	861818	2	Spring pin	
17	861806	4	Plug	
18		2	Pin	
19	861812	1	Bearing	
20	861813	1	Expansion plug	
21	3812417	1	Seal	
22	21281430	2	Plug	
23	3818600	1	Rear plate	
24	946440	1	Flange screw	
25		2	Pin	
26	946441	8	Flange screw	
27	3840879	1	Flywheel	Complete
28		1	· Flywheel	
29	3580354	1	· Gear ring	
30	3580355	6	Screw	
31	3840422	1	Vibration damper	
32	959211	6	· Hex. socket screw	
33	3818550	1	Flywheel housing	
34	965216	4	Flange screw	
35	3583822	1	Draining nipple	
36	3884541	1	Adapter	