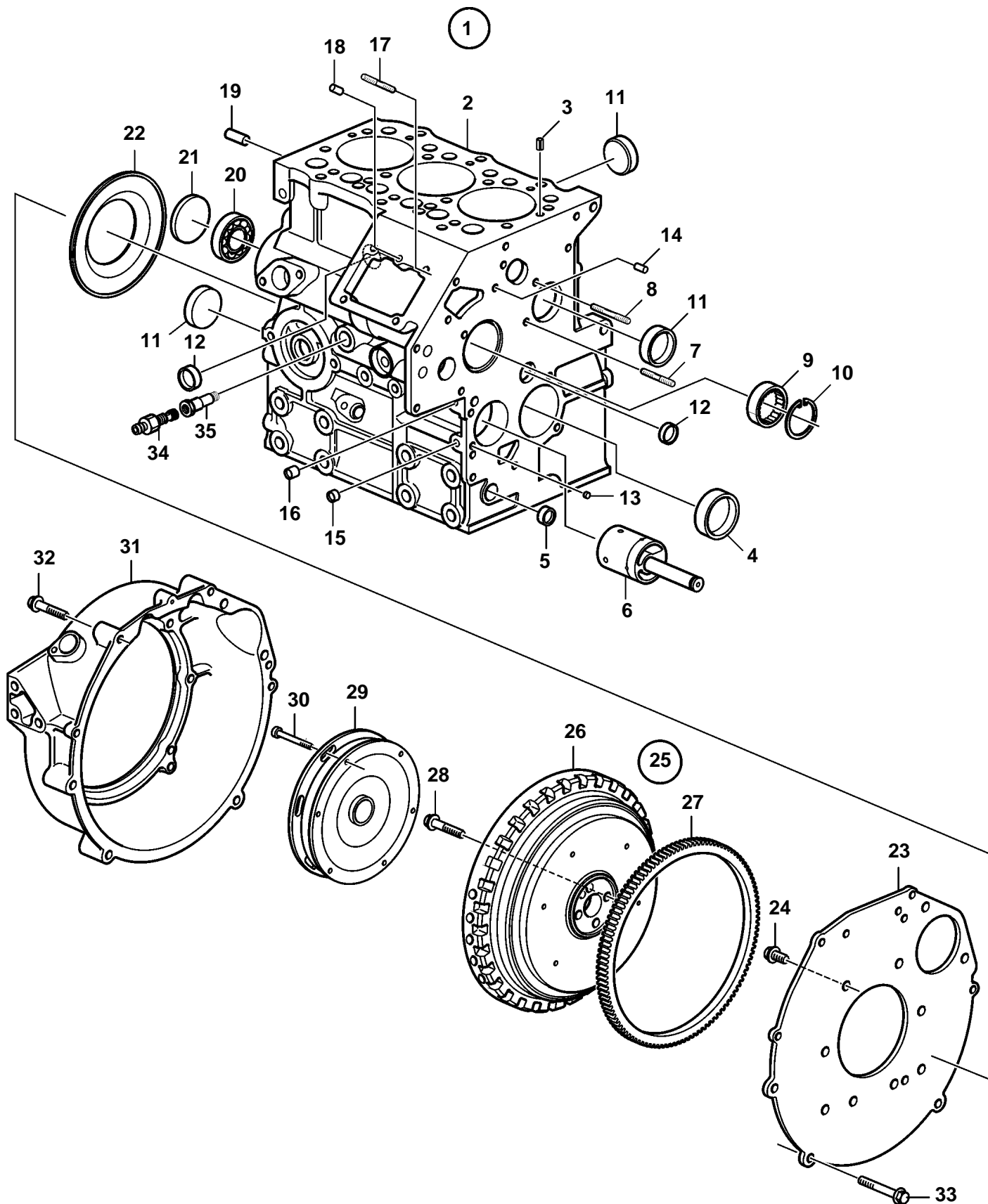


D1-20F



D1-20F

REF	PART NO.	QTY	DESCRIPTION	NOTES
1		1	Cylinder block	
2		1	· Cylinder block	
3	861818	1	· Spring pin	
4	21185006	1	· Bushing	
5	3886427	1	· Cardboard tube	
6	861807	1	· Shaft	
7	3583709	1	· Stud	
8	3583708	1	· Stud	
9	861814	1	· Bearing	
10	3580226	1	· Lock ring	
11	3886429	4	· Plug blank	
12	3886428	2	· Cardboard tube	
13	861805	1	· Plug	
14		1	· Dowel	
15	3807215	5	· Plug	
16	861806	4	· Plug	
17	3812420	2	· Stud	
18		2	· Pin	
19	11010	1	· Ball bearing	
20		2	· Pin	
21	861813	1	· Expansion plug	
22	861823	1	Sealing ring	
23	3818597	1	Rear plate	
24	946440	10	Flange screw	
25	3840878	1	Flywheel	Complete
26		1	· Flywheel	
27	861973	1	· Gear ring	
28	861974	4	Screw	
29	3840422	1	Vibration damper	
30	959211	6	Hex. socket screw	
31	21140575	1	Flywheel housing	
32	21246630	5	Hexagon screw	
33	965216	3	Flange screw	
34	3583822	1	Draining nipple	
35	3886423	1	Adapter	