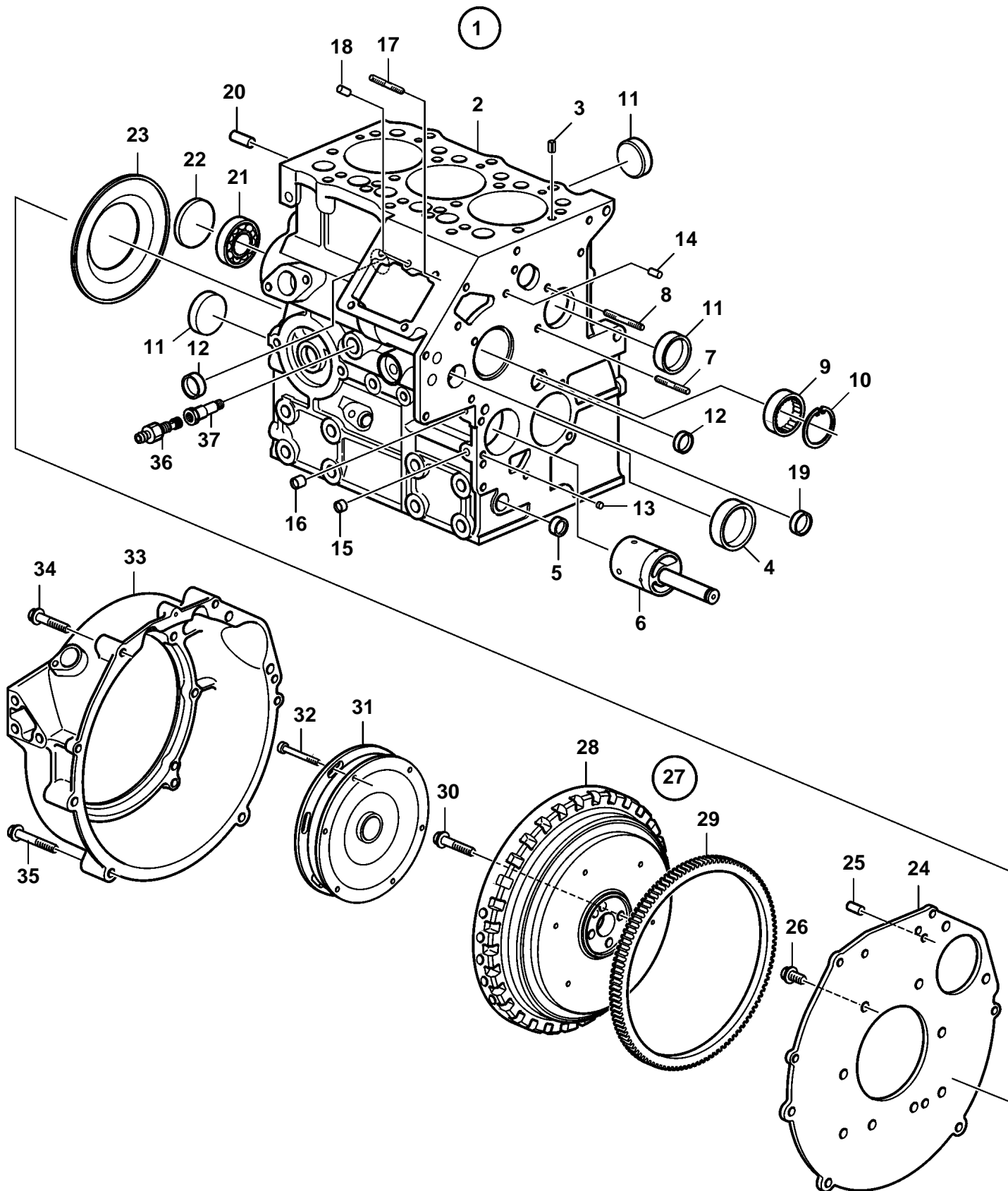


D1-20A, D1-20B



24008

Upd: 2009-12-14

24008

7746500 - 21 - 8289

D1-20A, D1-20B

REF	PART NO.	QTY	DESCRIPTION	NOTES
1		1	Cylinder block	
2		1	· Cylinder block	
3	861818	1	· Spring pin	
4	21185006	1	· Bushing	(3809705)
5	3886427	1	· Cardboard tube	
6	861807	1	· Shaft	
7	3583709	1	· Stud	
8	3583708	1	· Stud	
9	861814	1	· Bearing	
10	3580226	1	· Lock ring	
11	3886429	5	· Plug blank	
12	3886428	2	· Cardboard tube	
13	861805	1	· Plug	
14		1	· Dowel	
15	3807215	2	· Plug	
16	861806	1	· Plug	
17	3884526	1	· Stud	
18		1	· Pin	
19	3884973	1	· Plug	
20		1	· Pin	
21	3884972	1	· Ball bearing	Replaced by 861812
	861812	1	· Bearing	
22	861813	1	· Expansion plug	
23	861823	1	· Sealing ring	
24	3818597	1	· Rear plate	
25		2	· Pin	
26	946440	10	Flange screw	
27	3840878	1	Flywheel	Complete
28		1	· Flywheel	
29	861973	1	· Gear ring	
30	861974	4	Screw	
31	3840422	1	· Vibration damper	
32	959211	6	· Hex. socket screw	
33	3818550	1	Flywheel housing	
34	946671	1	Flange screw	
35	965180	5	Flange screw	
36	3583822	1	Draining nipple	
37	3886423	1	Adapter	