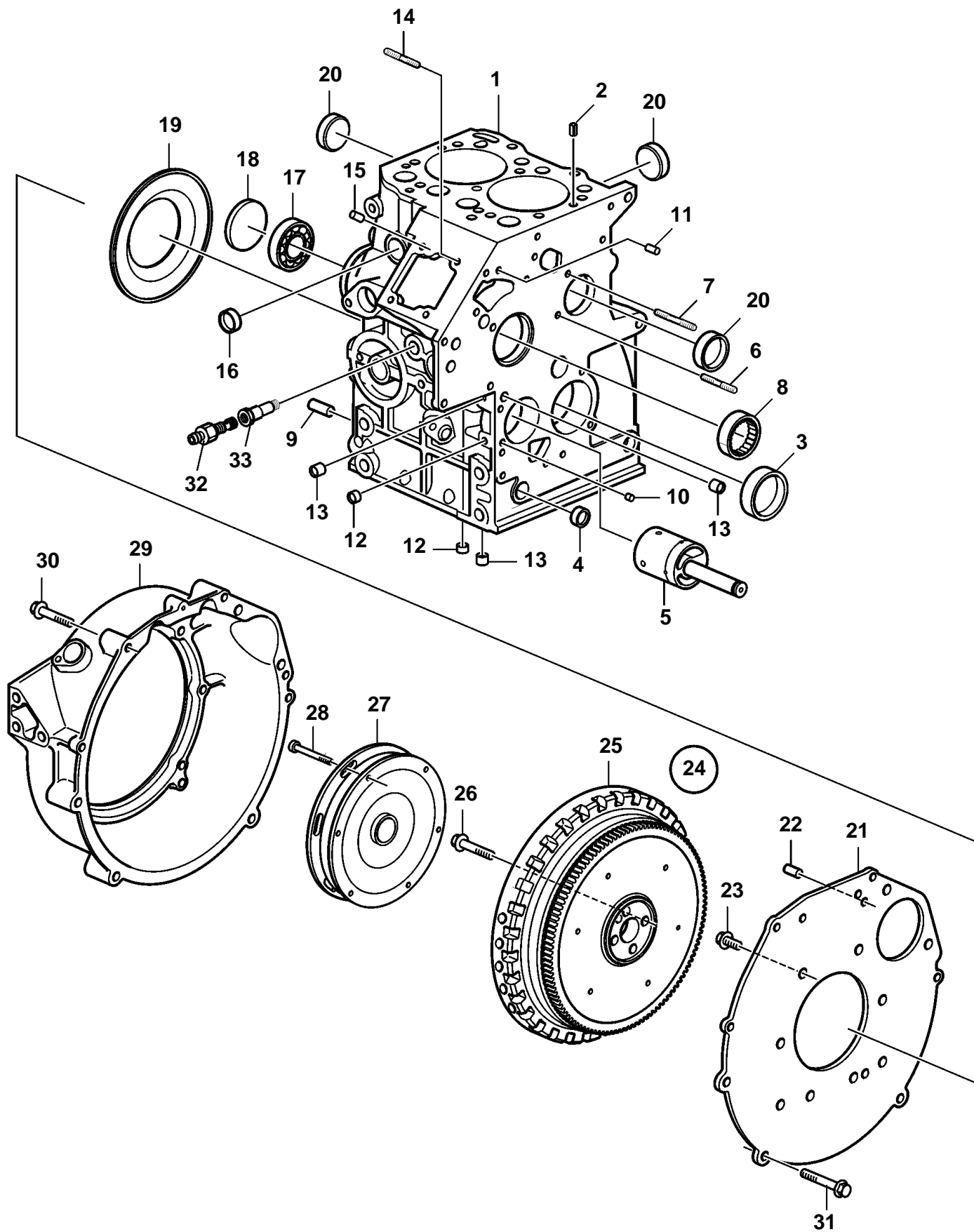


D1-13F



24378

D1-13F

REF	PART NO.	QTY	DESCRIPTION	NOTES
1	21185097	1	Cylinder block	
2	861818	2	Spring pin	
3	21185006	1	Bushing	
4	3886427	1	Cardboard tube	
5	861807	1	Shaft	
6	3583709	1	Stud	
7	3583709	1	Stud	
8	861814	1	Bearing	
9	21184986	2	Dowel	
10	861805	1	Plug	
11		2	Dowel	
12	3807215	1	Plug	
13	861806	4	Plug	
14	3812420	2	Stud	
15		2	Pin	
16	3886428	1	Cardboard tube	
17	11010	1	Ball bearing	
18	861813	1	Expansion plug	
19	861823	1	Sealing ring	
20	3886429	3	Plug blank	
21	3818597	1	Rear plate	
22		2	Pin	
23	946440	10	Flange screw	
24	3809921	1	Flywheel	Complete
25		1	· Flywheel	
26	861974	4	Screw	
27	3840422	1	Vibration damper	
28	959211	6	Hex. socket screw	
29	21140575	1	Flywheel housing	
30	965216	5	Flange screw	
31	21246630	3	Hexagon screw	
32	3583822	1	Draining nipple	
33	3886423	1	Adapter	