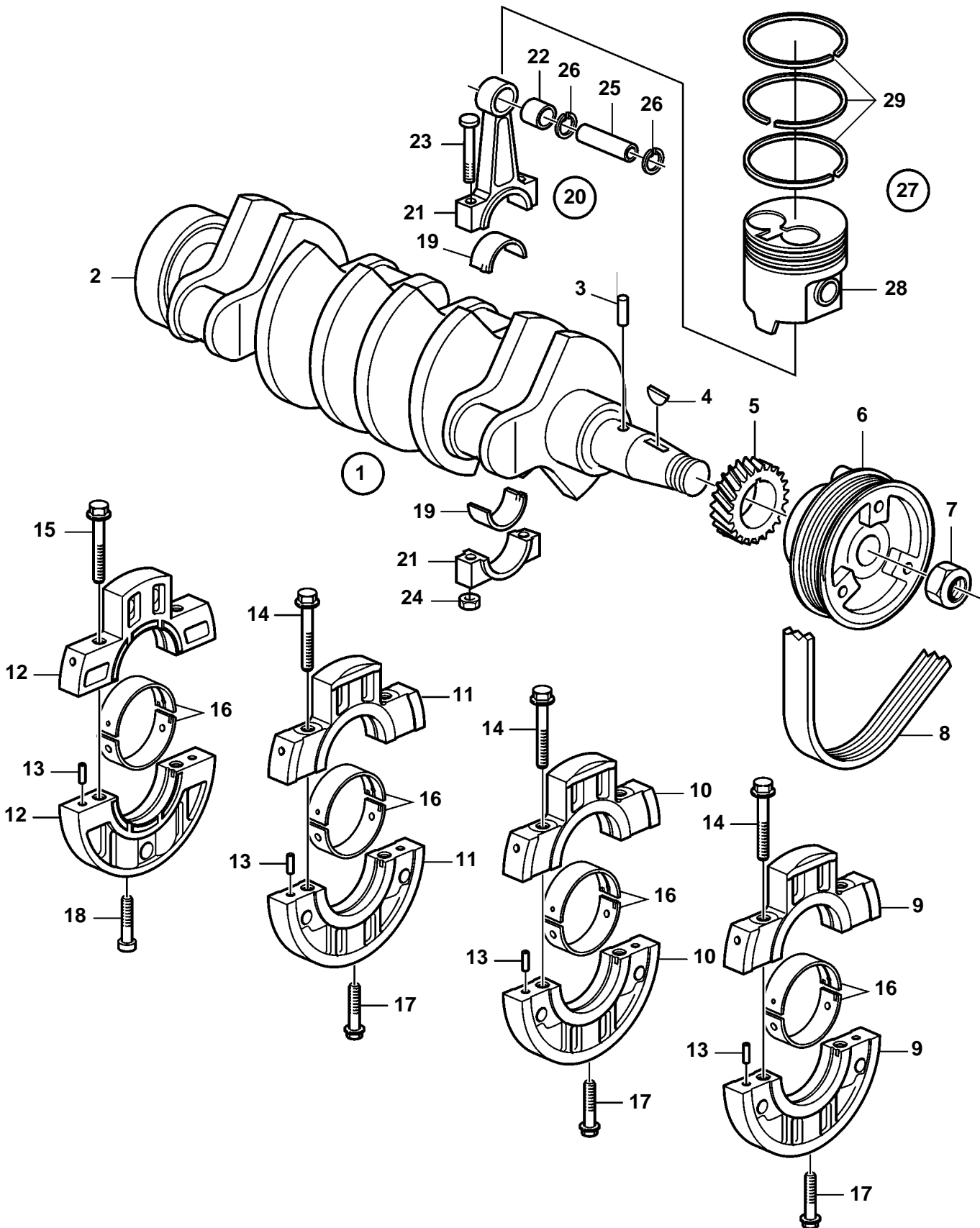


D2-40A, D2-40B, D2-40F



D2-40A, D2-40B, D2-40F

REF	PART NO.	QTY	DESCRIPTION	SEE SEC.	NOTES
1	3812430	1	Crankshaft		
2		1	· Crankshaft		
3	861934	1	· Key		
4	861969	1	· Woodruff key		
5	3812431	1	· Gear		
6	21193014	1	· Pulley		(3812451)
7	861977	1	Nut		
8		1	Drive belt	8356	D2-40A, D2-40B
		1	Drive belt	35099	D2-40F
9		1	Bearing		
10		1	Bearing		
11		1	Bearing		
12	3812416	1	Bearing		
13		8	Pin		
14	947760	6	Flange screw		
15	3884511	2	Screw		
16	3884515	1	Main bearing kit		
17	861952	3	Screw		
18	861953	2	Screw		
19	3884564	1	Bearing shell kit		
20	3812206	4	Connecting rod		Complete
21		1	· Connecting rod		
22	3580346	1	· Bushing		
23	3580347	2	· Screw		
24	3580348	2	· Nut		
25	3580343	4	Piston pin		
26	3580344	8	Lock ring		
27	3812470	4	Piston kit		
28		1	· Piston		
29	3812474	1	· Piston ring kit		