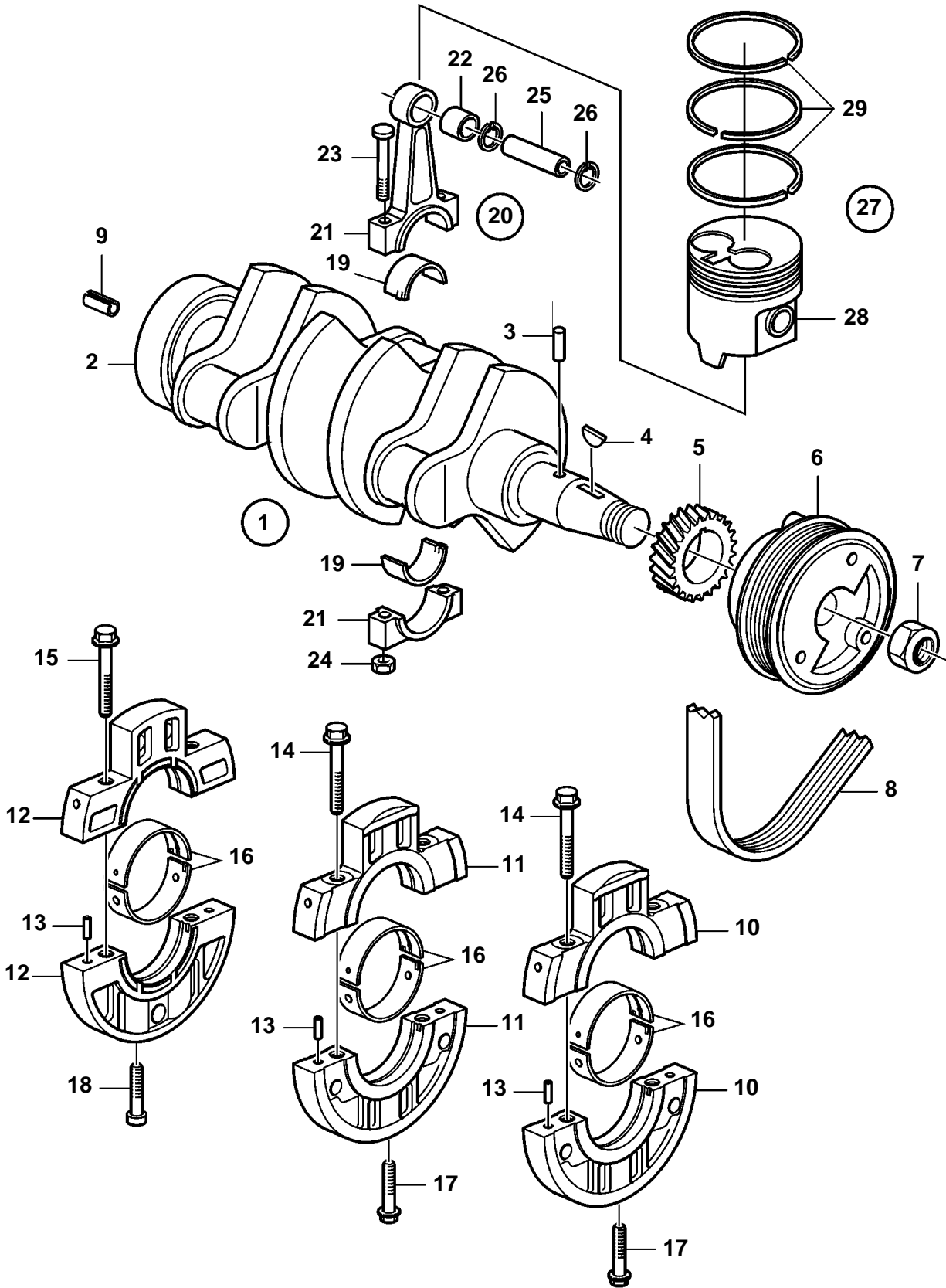


D1-30A, D1-30B, D1-30F



## D1-30A, D1-30B, D1-30F

REF	PART NO.	QTY	DESCRIPTION	SEE SEC.	NOTES
1	21191767	1	Crankshaft		D1-30A, D1-30B
	21271485	1	Crankshaft		D1-30F
2		1	· Crankshaft		
3	861934	1	· Key		
4	861969	1	· Woodruff key		
5		1	· Gear		D1-30A, D1-30B
	21272234	1	· Gear		D1-30F
6	3812453	1	Pulley		D1-30A, D1-30B
	21192320		Pulley		D1-30F
7	861977	1	Nut		
8		1	Drive belt	8356	D1-30A, D1-30B
		1	Drive belt	35099	D1-30F
9	3580352	1	Locating pin		
10		1	Bearing		
11		1	Bearing		
12	3812416	1	Bearing		
13		6	Pin		
14	947760	4	Flange screw		
15	3884511	2	Screw		
16	21132989		Main bearing kit		(3884512)
17	861952	2	Screw		
18	861953	2	Screw		
19	21252967	1	Bearing shell kit		
20	3812206	3	Connecting rod		Complete
21		1	· Connecting rod		
22	3580346	1	· Bushing		
23	3580347	2	· Screw		
24	3580348	2	· Nut		
25	3580343	3	Piston pin		
26	3580344	6	Lock ring		
27	3812470	3	Piston kit		
28		1	· Piston		
29	3812474	1	· Piston ring kit		