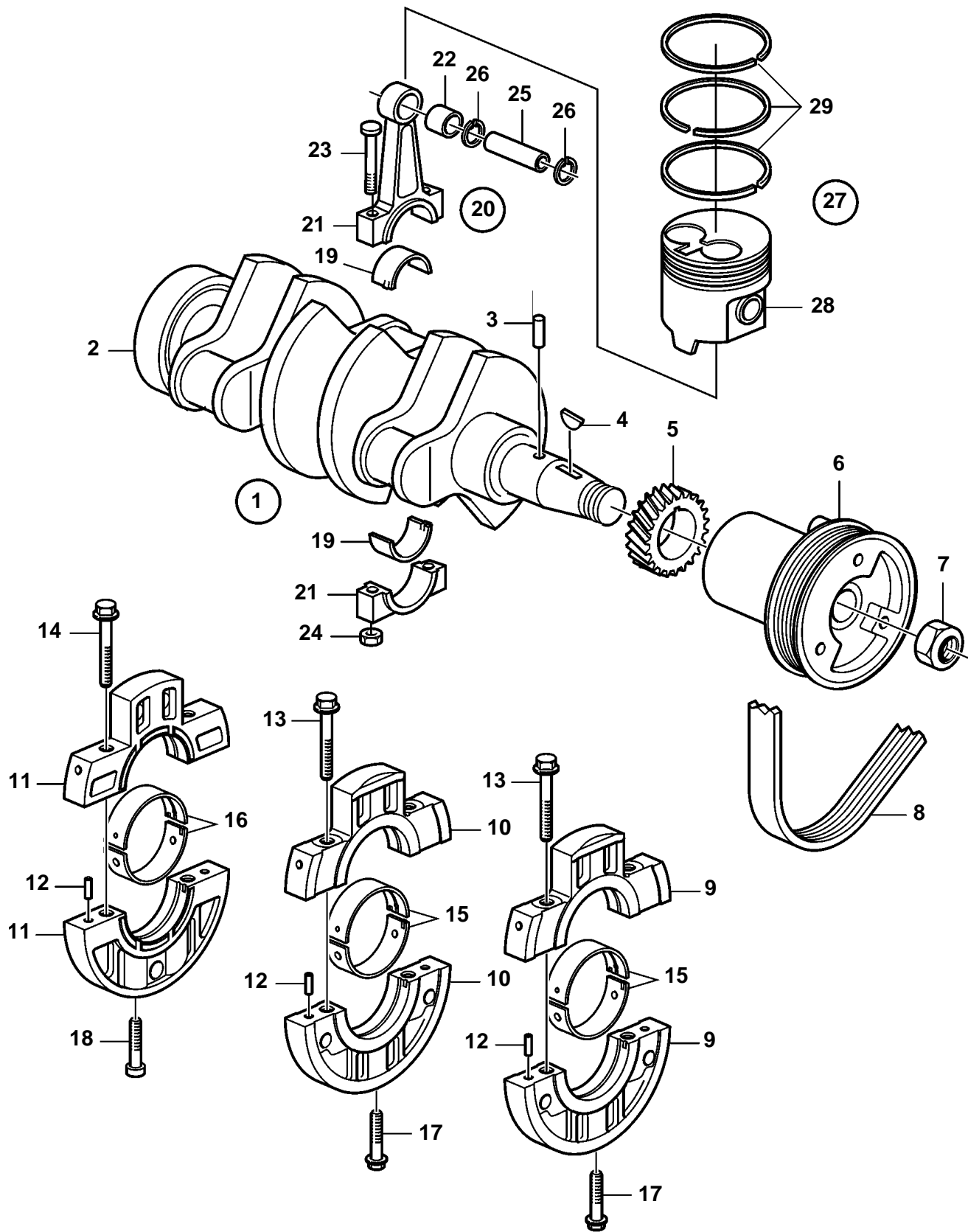


D1-20A, D1-20B, D1-20F



D1-20A, D1-20B, D1-20F

REF	PART NO.	QTY	DESCRIPTION	SEE SEC.	NOTES
1	3809706	1	Crankshaft		
2		1	· Crankshaft		
3	861934	1	· Key		
4	3812129	1	· Key		
5		1	· Gear		
6	3809648	1	Pulley		
7	861977	1	Nut		
8		1	Drive belt	8355	
9		1	Bearing cap		
10		1	Bearing cap		
11	3884522	1	Bearing cap		
12		6	Pin		
13	3884511	4	Screw		
14	3884523	2	Screw		
15	3884516	2	Main bearing kit		D1-20A, D1-20B
16	3884517	1	Main bearing kit		
17	861952	2	Screw		
18	861953	2	Screw		
19	3884557	1	Bearing shell kit		
20	3812139	3	Connecting rod		Complete
21		1	· Rod bearing		
22	861963	1	· Bushing		
23	861964	2	· Screw		
24	861965	2	· Nut		
25	861960	3	Piston pin		
26	861961	6	Lock ring		
27	3812468	3	Piston kit		
28		1	· Piston		
29	3812472	1	· Piston ring		