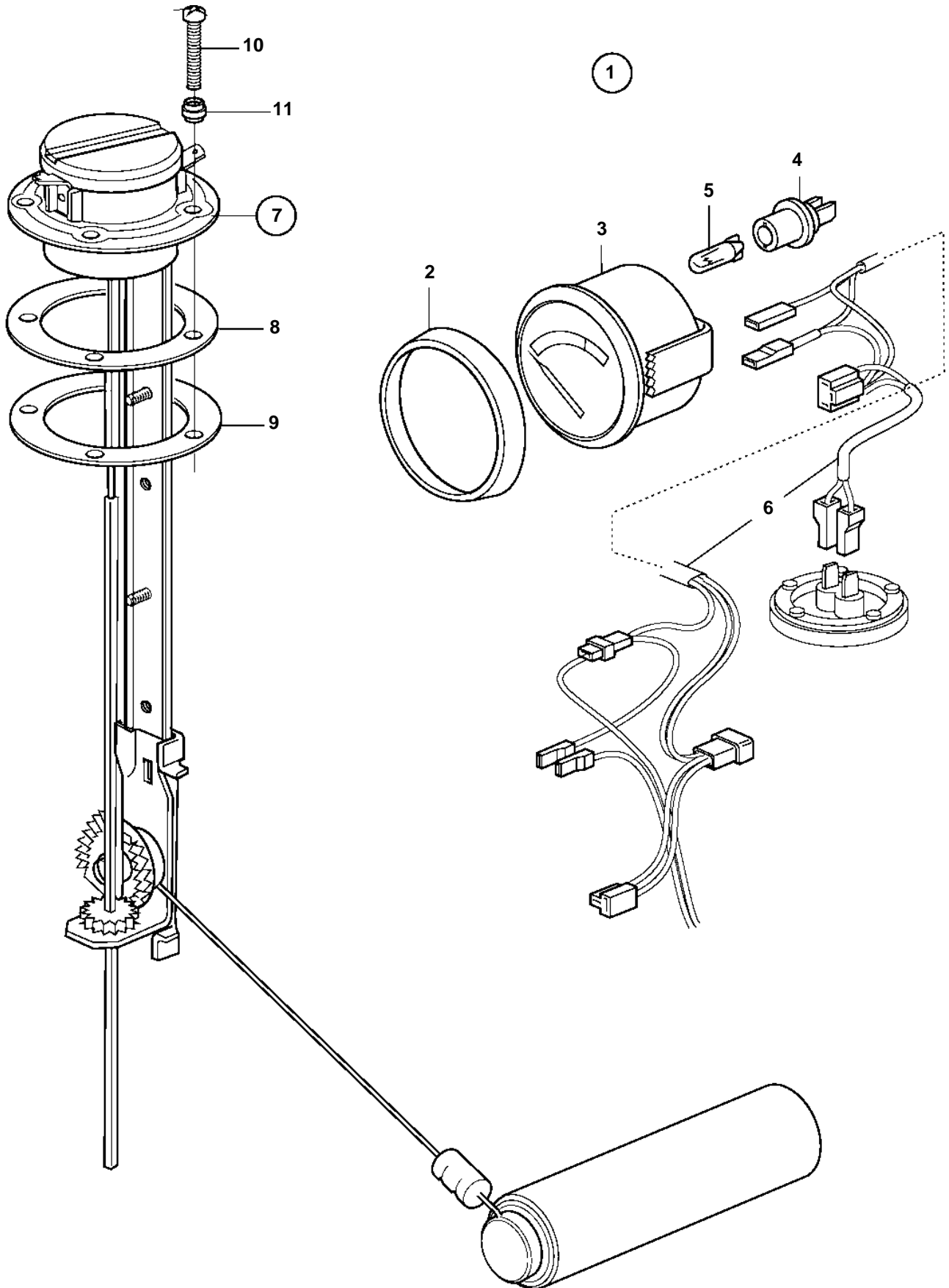


D1-13A, D1-20A, D1-30A, D2-40A



D1-13A, D1-20A, D1-30A, D2-40A

REF	PART NO.	QTY	DESCRIPTION	NOTES
1	1140462	1	Water level gauge ki	12V (858881)
2	858643	1	• Front ring	
3	863942	1	• Water level gauge	
4	863945	1	• • Lamp socket	Use white bulb 19923 and socket 808175 for earlier gauges.
5	863946	1	• • Bulb	Use white bulb 19923 and socket 808175 for earlier gauges., 12V, 1,2W RED
6		1	• Cable kit	
7	834389	1	• Sensor	
8	89865	1	• • Gasket	
9	834480	1	• • Flange	
10	969407	4	• • 6 point socket screw	(956078)
	969409	1	• • 6 point socket screw	
11	834481	5	• • Gasket	