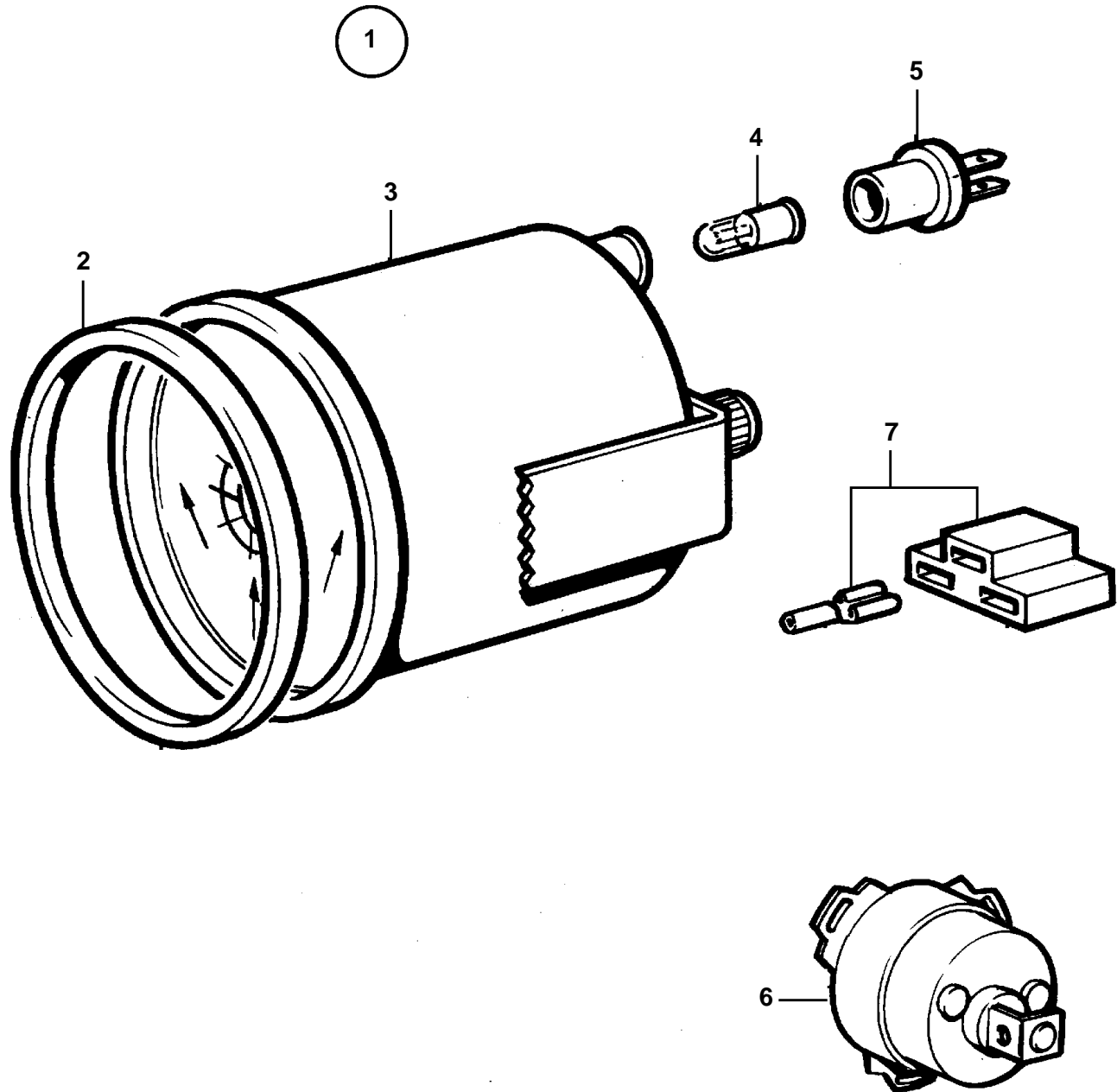


D1-13A, D1-20A, D1-30A, D2-40A



D1-13A, D1-20A, D1-30A, D2-40A

REF	PART NO.	QTY	DESCRIPTION	SEE SEC.	NOTES
1	1140465	1	Rudder indicator kit		
2	858643	1	· Front ring		
3	863944	1	· Rudder indicator		
4	863946	1	· · Bulb		
5	863945	1	· · Lamp socket		For instrument 828698 should white bulb 19923 and socket 808175 be mounted.
6	837772	1	· Position sensor		
7		X	· Electrical materials	1963	