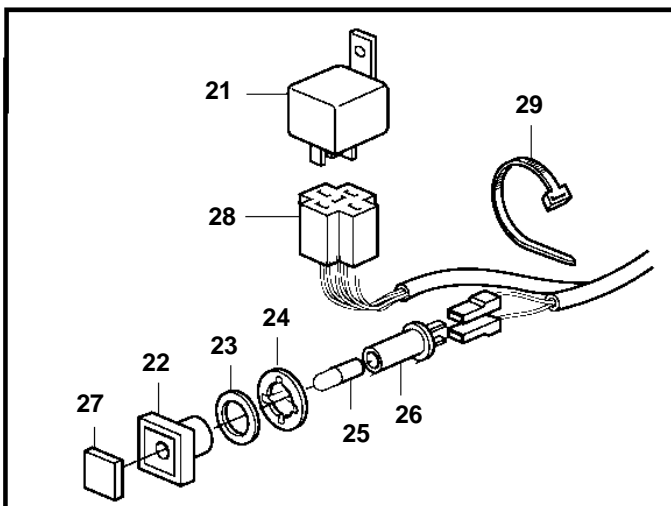
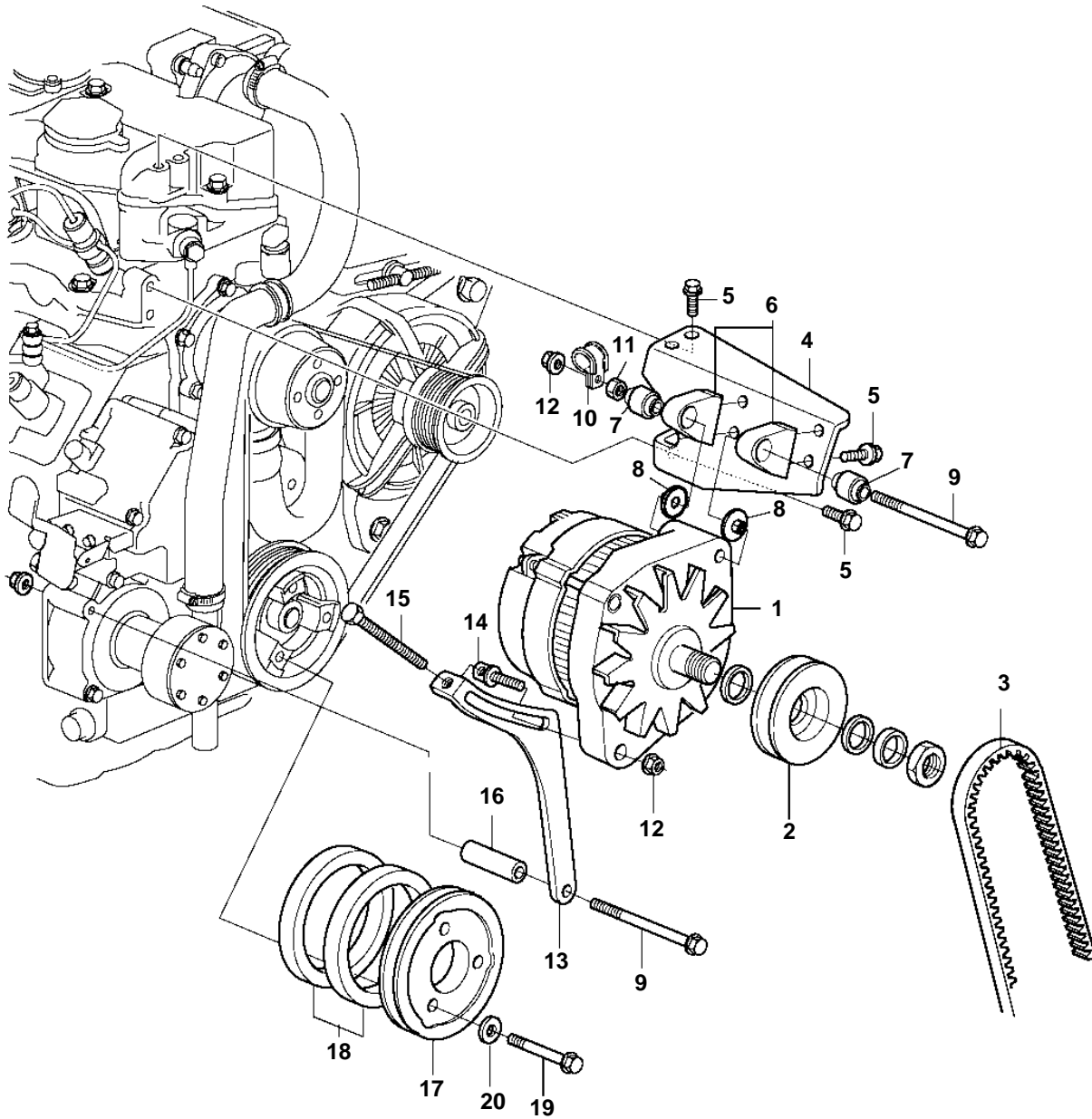


D1-20A, D1-20B, D1-20F



22952

D1-20A, D1-20B, D1-20F

REF	PART NO.	QTY	DESCRIPTION	NOTES
1	873770	1	Alternator	14V, 60A
	3803444	1	Alternator, exch, exch	14V, 60A
	3803444	1	Alternator, exch	14V, 60A
	872927	1	Alternator	28V, 40A
	3803619	1	Alternator, exch, exch	28V, 40A
	3803619	1	Alternator, exch	28V, 40A
2	841813	1	Pulley	
3	977525	1	V-belt	
4	3819248	1	Mounting plate	
5	946440	7	Flange screw	
6	3580749	2	Anchorage	
7	859273	2	Rubber bushing	
8	859274	2	Washer	
9	968553	2	Flange screw	
10	949746	1	Clamp	
11	955782	1	Hexagon nut	
12	945408	2	Flange nut	
13	3884026	1	Tensioning arm	
14	861663	1	Lock screw	
15	977820	1	Hexagon screw	
16	823497	1	Spacer sleeve	
17	3581036	1	Pulley	
18	3583572	2	Spacer	
19	965181	3	Flange screw	
20	976944	3	Washer	
21	1324492	1	Relay	
22	838455	1	Retainer	
23	829714	1	Sealing ring	
24	967583	1	Retainer	
25	19923	1	Bulb	
26	808175	1	Lamp socket	
27	838457	1	Symbol strip	
28	838542	1	Cable trunk	
29	948211	10	Cable tie	