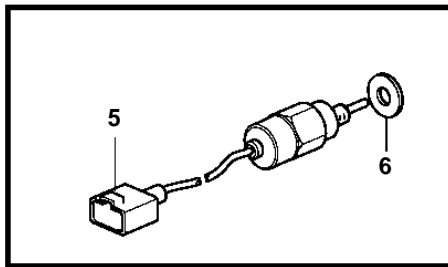
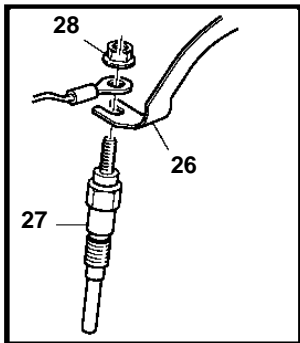
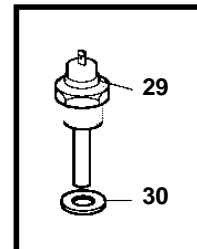
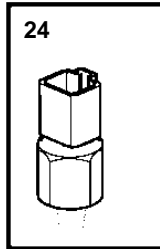
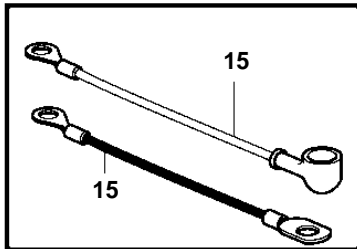
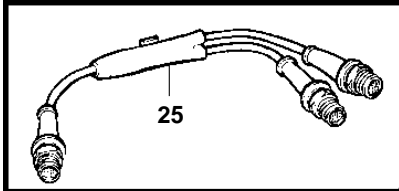
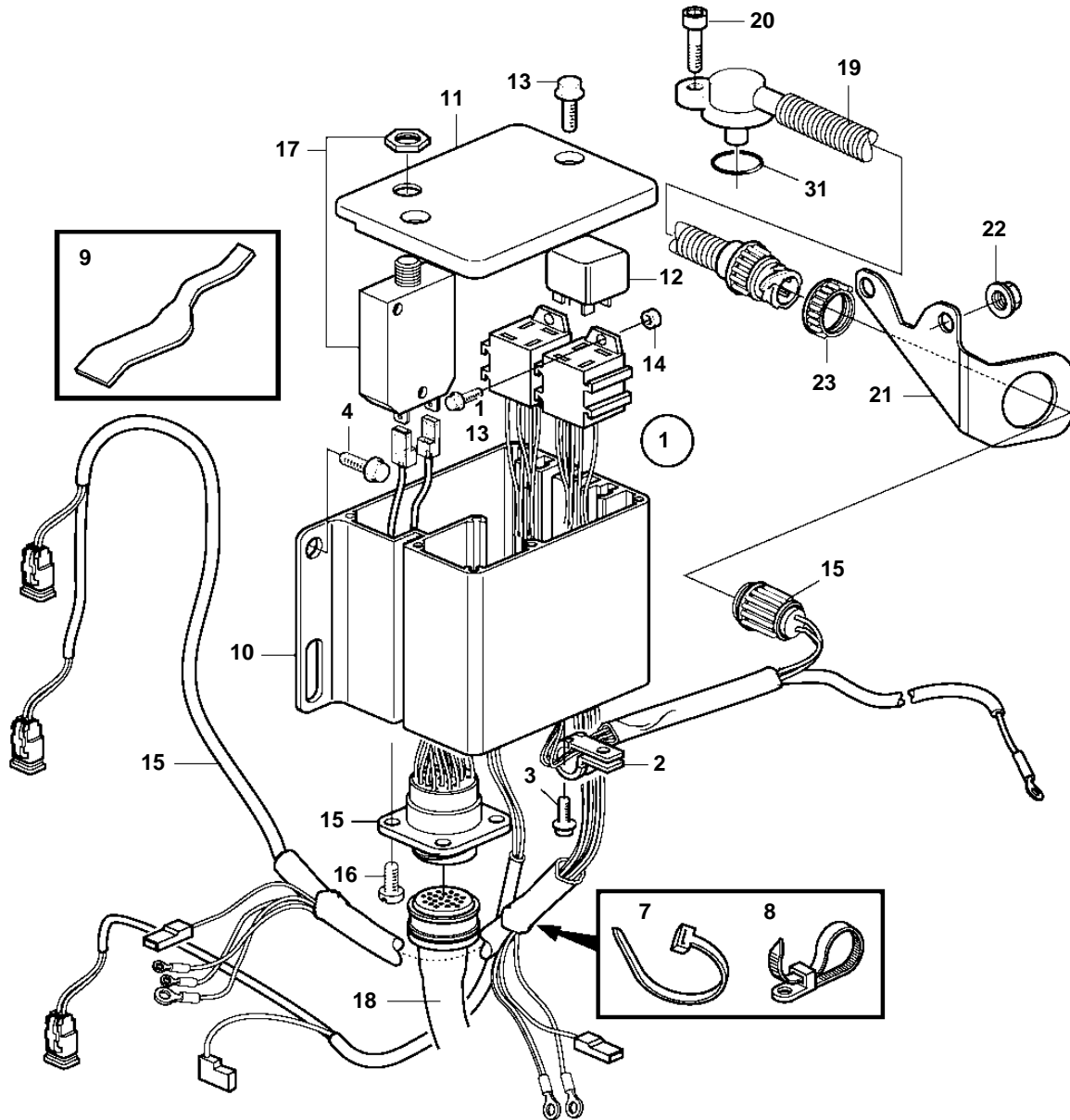


D1-13A, D1-20A, D1-30A, D2-40A



22960

D1-13A, D1-20A, D1-30A, D2-40A

REF	PART NO.	QTY	DESCRIPTION	SEE SEC.	NOTES
1	3817433	1	Electrical system		
2	947191	1	· Clamp		
3	947107	1	· Flange screw		
4	946544	2	· Flange screw		
5	3584127	1	· Stop solenoid		
6	3580092	1	· Sealing ring		
7	948211	6	· Cable tie		
8	948616	1	· Cable tie		
9	3812709	1	· Spring		
10	3812685	1	Electrical distribut		
11	3812683	1	Cardboard tube		
12	873765	2	Relay		
13	948663	4	Flange screw		
14	955780	2	Hexagon nut		
15	3809732	1	Wiring harness		
16	955119	4	Cross recessed screw		
17	968821	1	Fuse		
18	846648	1	Extension cable\verl		L=3000mm
	846649	1	Extension cable\verl		L=5000mm
	846650	1	Extension cable\verl		L=7000mm
	873838	1	Extension cable\verl		L=9000mm
	873839	1	Extension cable\verl		L=11000mm
19	3944124	1	Sensor		
20	963684	1	Hex. socket screw		
21		1	Bracket	8329	
22		2	Screw	8329	
23	3963413	1	Ring		
24	21250645	1	Pressure switch		(3808796)
25	1140598	1	Distributing contact		For double steering positions.
26	3809642	1	Current bar		D1-13
	3812103	1	Current bar		D1-20
	3883705	1	Current bar		D1-30
	3886459	1	Current bar		D2-40
27	3809641	2	Glow plug		D1-13
	3809641	3	Glow plug		D1-20, D1-30
	3809641	4	Glow plug		D2-40
28	3883704	2	Nut		D1-13
	3883704	3	Nut		D1-20, D1-30
	3883704	4	Nut		D2-40
29	827151	1	Temperature sensor		
30	947624	1	Gasket		
31	974673	1	O-ring		