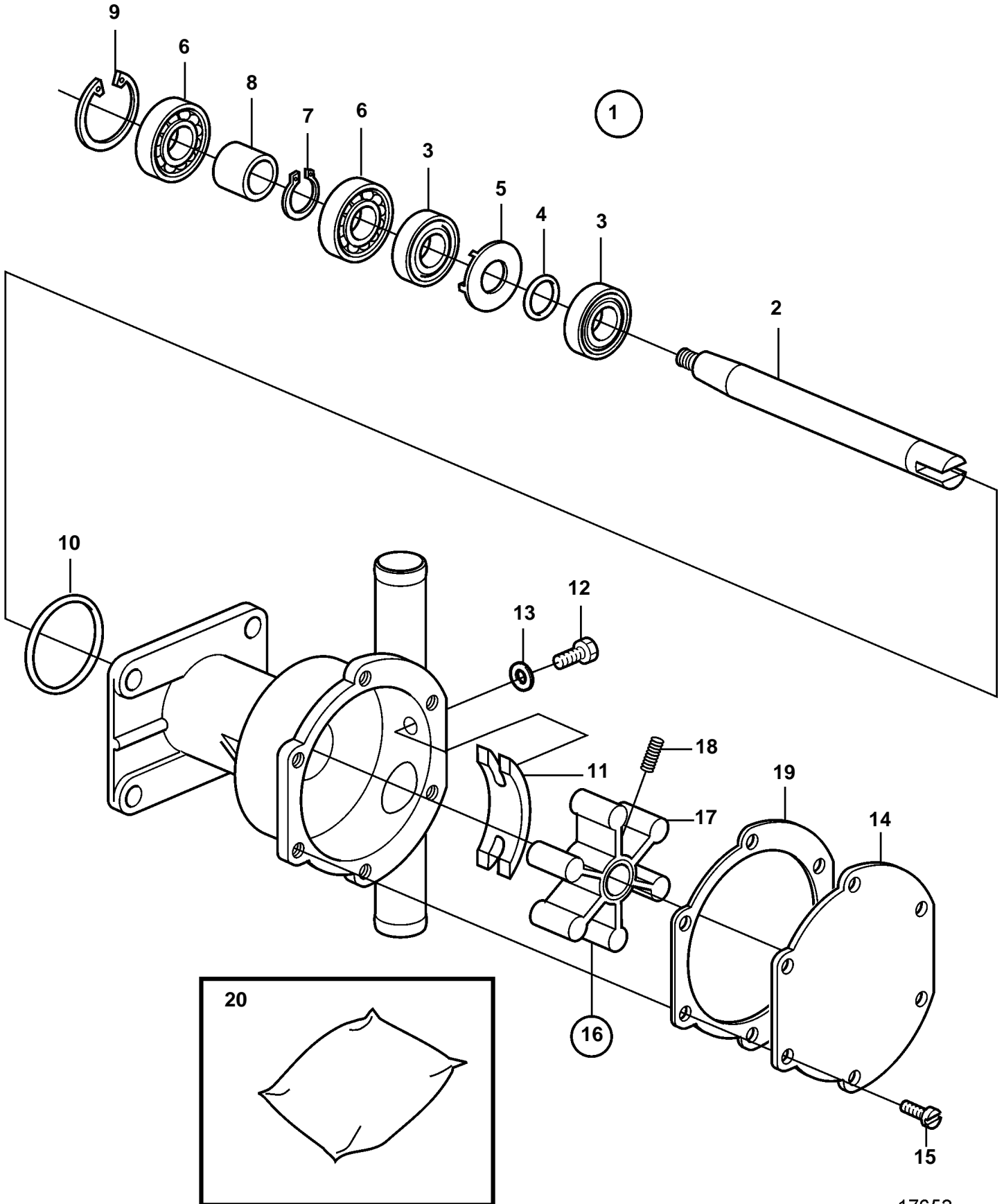


D1-30A, D1-30B, D2-40A, D2-40B, D1-30F, D2-40F



17652

D1-30A, D1-30B, D2-40A, D2-40B, D1-30F, D2-40F

REF	PART NO.	QTY	DESCRIPTION	SEE SEC.	NOTES
1	3593655	1	Sea water pump · Bulletin 43-19A	43-19A-EN	New Sea Water Pumps
1	876700	1	Repair kit		
2		1	· Shaft		
3	833996	2	· Sealing ring		
4	925055	1	· O-ring		
5	859101	1	· Spacer washer		
6	181717	2	· Ball bearing		
7	914446	1	· Snap ring		
8	3581367	1	· Spacer sleeve		
9	914515	1	· Snap ring		
10	3580380	1	· O-ring		
11	827009	1	· Cam		
12	804693	1	· Screw		
13	18669	1	· Gasket		
14	840386	1	· Cardboard tube		
15	840384	6	· Screw		
16	3593659	1	Impeller kit		
17		1	· Impeller		
18	804697	1	· Screw		
19	819959	1	· Gasket		
20	3862178	1	· Grease		