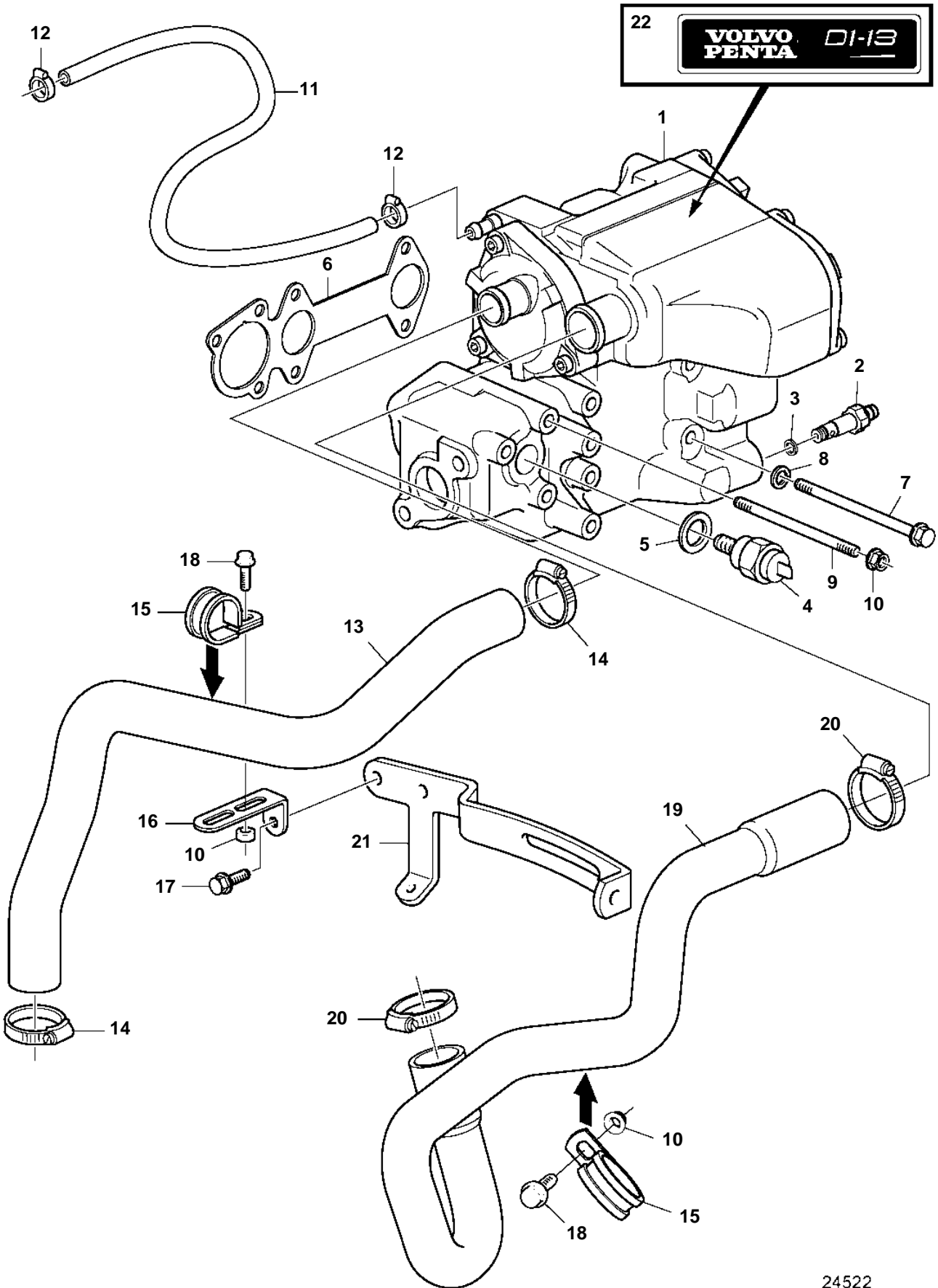


D1-13A, D1-13B



D1-13A, D1-13B

REF	PART NO.	QTY	DESCRIPTION	SEE SEC.	NOTES
1	3840127	1	Heat exchanger		
				9708	
2		1	· Draining nippel	9708	
3		1	· · O-ring		
4		1	Ect sensor		See Electrical System/EVC Electrical System D1-D2
5	11998	1	Gasket		
6	3809917	1	Gasket		
7	955285	5	Hexagon screw		
8	861913	5	Spring washer		
9	3884546	2	Stud		
10	945407	3	Flange nut		
11	993304	1	Hose		Heat exchanger-expansion tank.
12	945652	2	Hose clamp		
13		1	Hose	8343	Heat exchanger-Sea water pump.
14		2	Hose clamp	8343	
15	952636	2	Clamp		
16	965555	1	Bracket		
17	947107	1	Flange screw		
18	946544	1	Flange screw		
19		1	Hose	21475	Heat exchanger-water pump.
20		2	Hose clamp	21475	
21		1	Tensioner	8355	
22	3809963	1	Label		