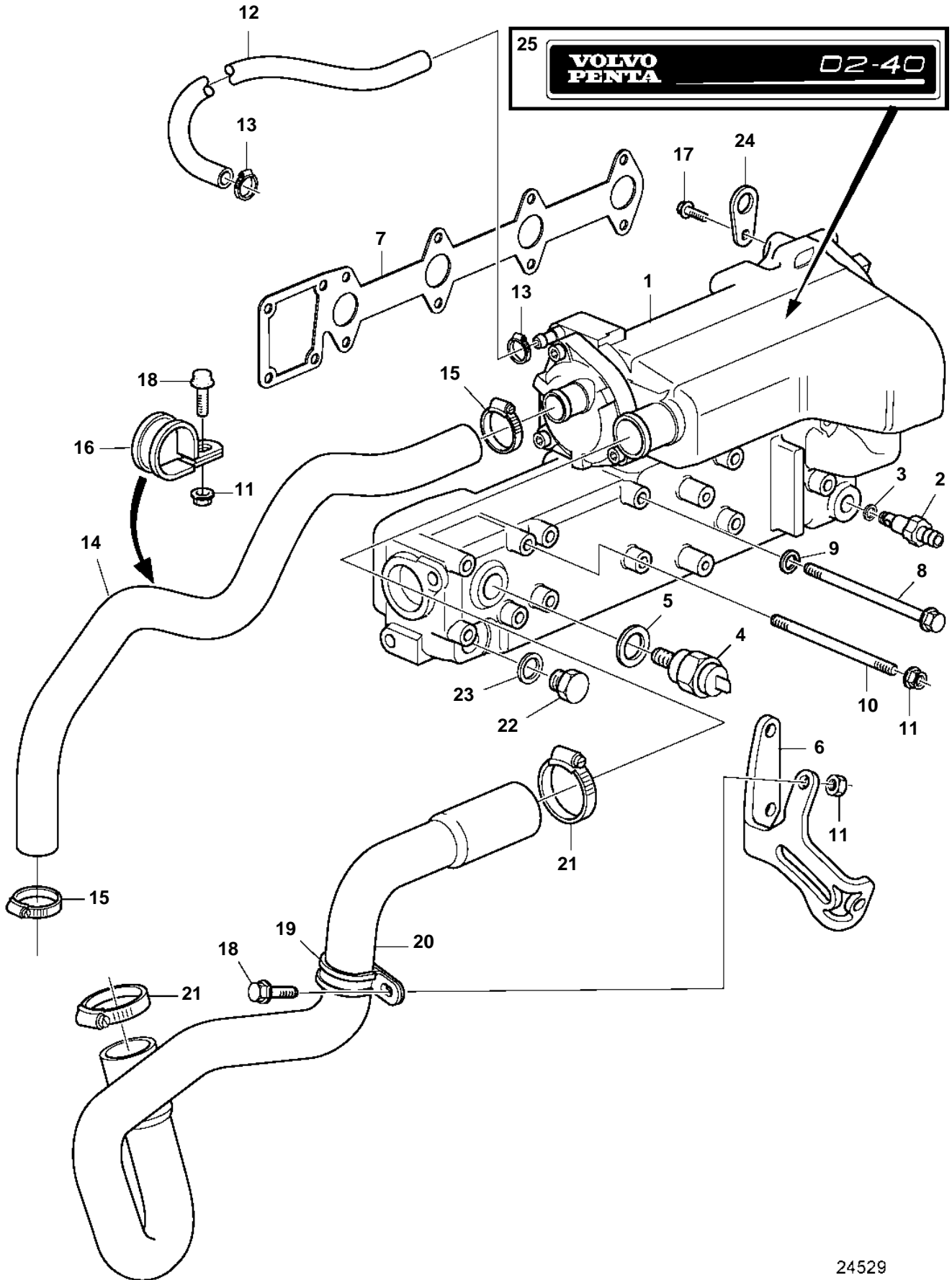


D2-40B, D2-40F



24529

Upd: 2009-12-14

24529

7746500 - 26 - 21477

## D2-40B, D2-40F

REF	PART NO.	QTY	DESCRIPTION	SEE SEC.	NOTES
1	3840130	1	Heat exchanger		
				9711	
2		1	Draining nippel	9711	
3		1	· O-ring		
4		1	Ect sensor	21454	
5	11998	1	Gasket		
6		1	Tensioner	35099	D1-20B
		1	Tensioner	8356	D1-20F
7	3812445	1	Gasket		
8	955285	10	Hexagon screw		D2-40B
	969982	8	Flange screw		D2-40F
9	861913	8	Spring washer		D2-40B
10	3884546	2	Stud		
11	945407	2	Flange nut		
12	993304	1	Hose		Heat exchanger-expansion tank.
13	945652	2	Hose clamp		
14	3812889	1	Hose		Heat exchanger-Sea water pump.
15	943475	2	Hose clamp		
16	952636	1	Clamp		
17	946173	1	Flange screw		
18	946544	2	Flange screw		
19	952637	1	Clamp		
20	3818454	1	Hose		Heat exchanger-water pump.
21	853548	2	Hose clamp		
22	960631	1	Plug		D2-40B
	3580091	1	Screw		D2-40F
23	11996	1	Gasket		D2-40B
	3580092	1	Sealing ring		D2-40F
24	3583556	1	Lifting eye		
25	3809967	1	Label		