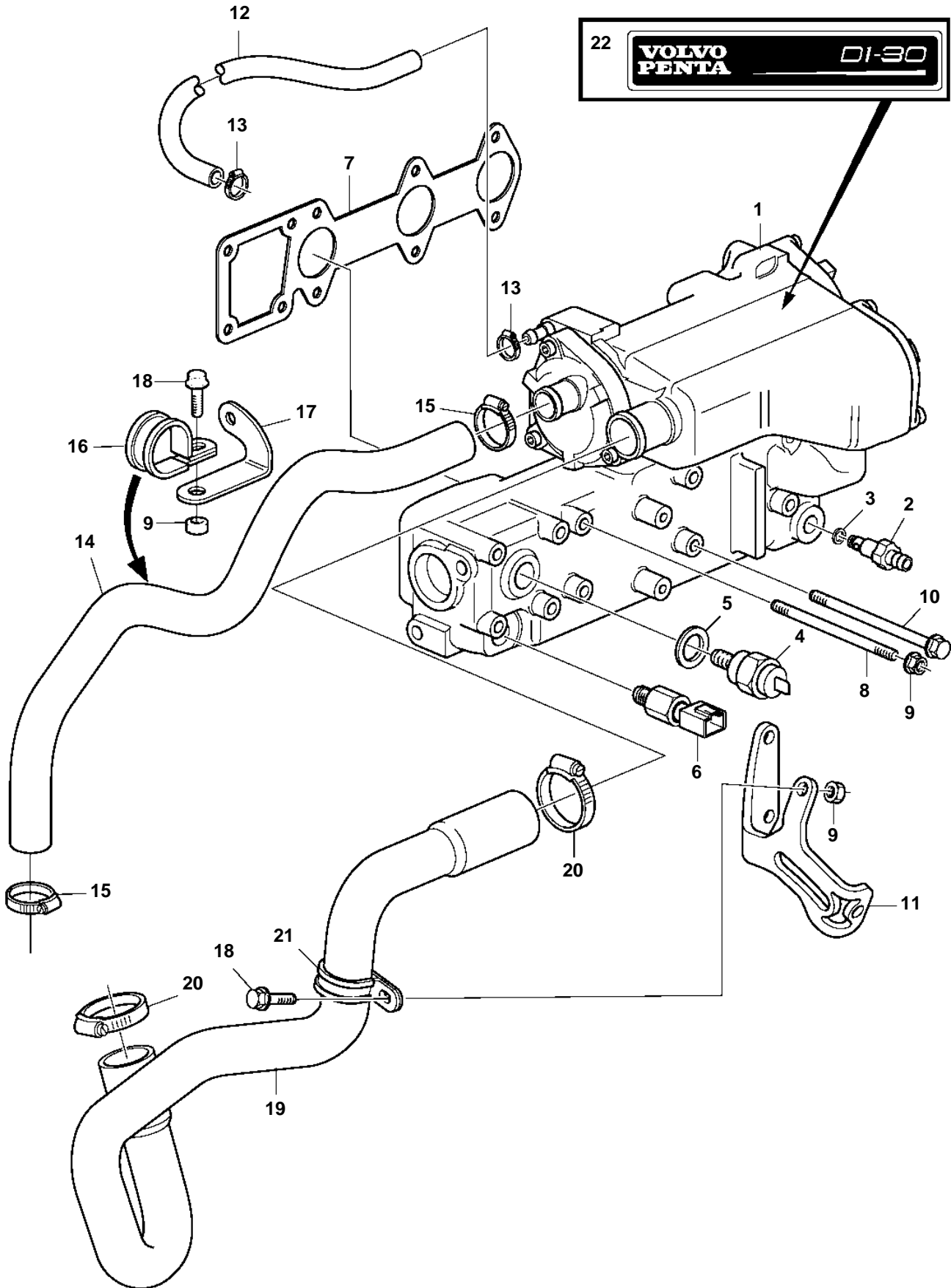


D1-30A



D1-30A

REF	PART NO.	QTY	DESCRIPTION	SEE SEC.	NOTES
1	3840129	1	Heat exchanger		
				9710	
2		1	Draining nippel	9710	
3		1	· O-ring		
4		1	Ect sensor	8369	
5	11998	1	Gasket		
6	3808797	1	Thermo monitor		
7	3812402	1	Gasket		
8	3884546	2	Stud		
9	945407	4	Flange nut		
10	969982	6	Flange screw		
11		1	Tensioner	8356	
12	943366	1	Rubber hose		Heat exchanger-expansion tank.
13	961662	2	Hose clamp		
14	3812873	1	Hose		Heat exchanger-Sea water pump.
15	961667	2	Hose clamp		
16	952636	1	Clamp		
17	3812875	1	Bracket		
18	946544	2	Flange screw		
19	3595421	1	Hose		Heat exchanger-water pump.
20	853548	2	Hose clamp		
21	952637	1	Clamp		
22	3809966	1	Label		