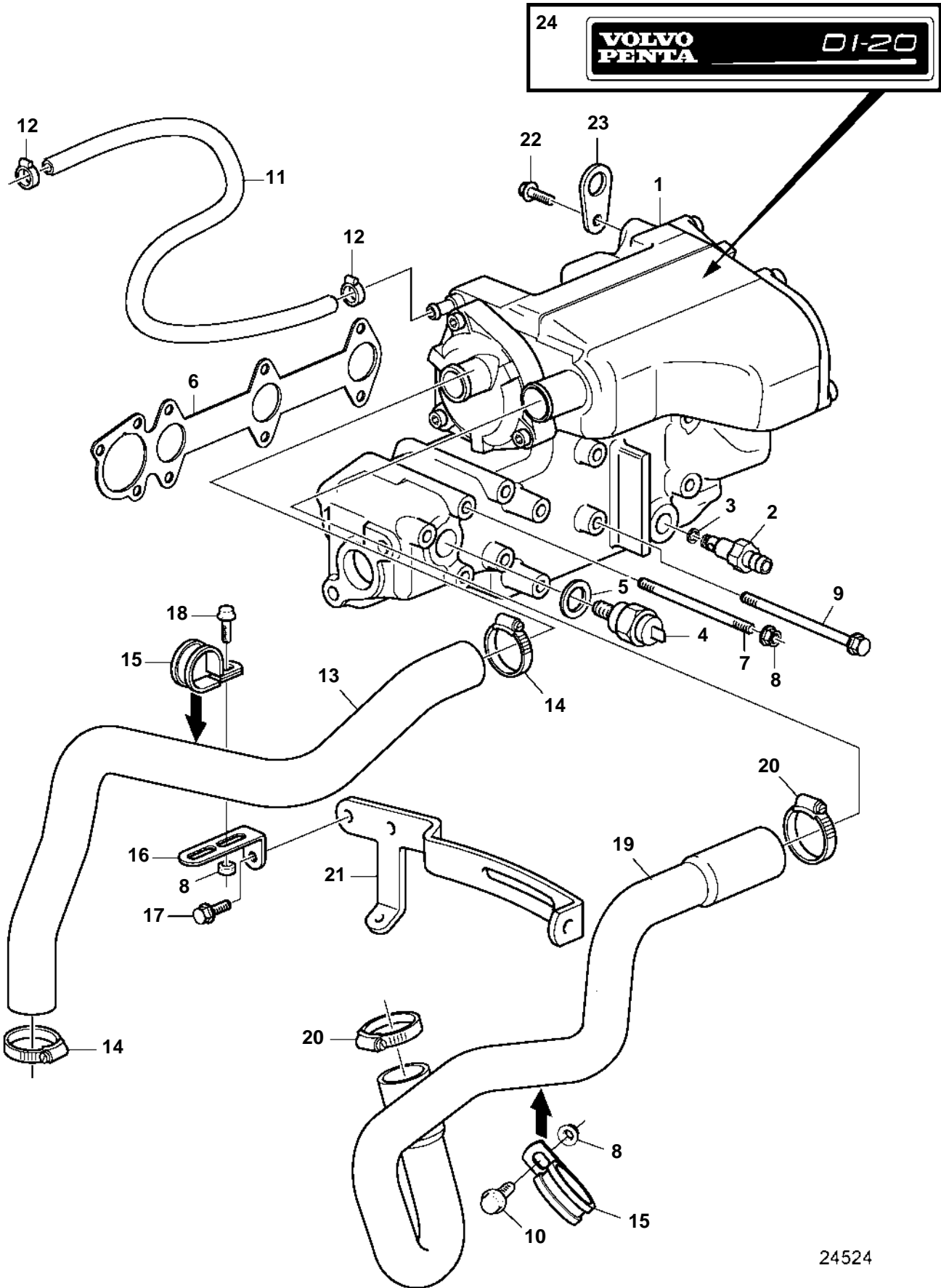


D1-20F



24524

D1-20F

REF	PART NO.	QTY	DESCRIPTION	SEE SEC.	NOTES
1	3840128	1	Heat exchanger		
				9709	
2		1	Draining nippel	9709	
3		1	· O-ring		
4		1	Ect sensor		See Electrical System/EVC Electrical System D1-D2
5	11998	1	Gasket		
6	3812151	1	Gasket		
7	3884546	2	Stud		
8	945407	2	Flange nut		
9	969982	7	Flange screw		
10	946440	1	Flange screw		
11	943366	X	Rubber hose		Heat exchanger-expansion tank., L = 350mm
12	961664	2	Hose clamp		
13		1	Hose	8343	Heat exchanger-Sea water pump.
14		2	Hose clamp	8343	
15	952636	2	Clamp		
16	965558	1	Bracket		
17	947107	1	Flange screw		
18	946544	1	Flange screw		
19		1	Hose	21475	Heat exchanger-water pump.
20		2	Hose clamp	21475	
21		1	Tensioner	8355	
22	946173	1	Flange screw		
23	3583556	1	Lifting eye		
24	3809965	1	Label		