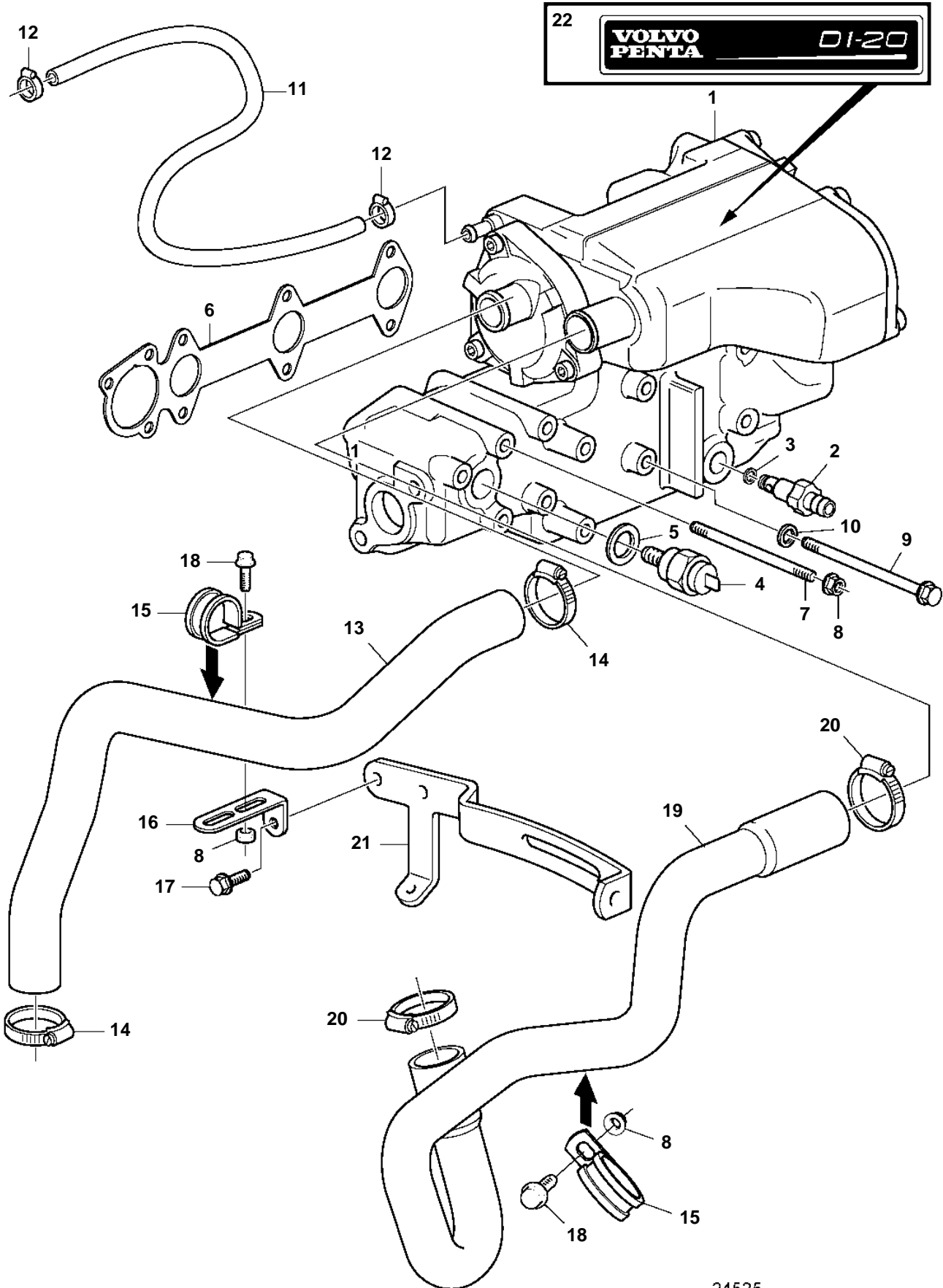


D1-20A, D1-20B



24525

D1-20A, D1-20B

REF	PART NO.	QTY	DESCRIPTION	SEE SEC.	NOTES
1	3840128	1	Heat exchanger		
				9709	
2		1	Draining nippel	9709	
3		1	· O-ring		
4		1	Ect sensor		See Electrical System/EVC Electrical System D1-D2
5	11998	1	Gasket		
6	3812151	1	Gasket		
7	3884546	2	Stud		
8	945407	4	Flange nut		
9	955285	7	Hexagon screw		
10	861913	7	Spring washer		
11	993304	1	Hose		Heat exchanger-expansion tank.
12	945652	2	Hose clamp		
13		1	Hose	8343	Heat exchanger-Sea water pump.
14		2	Hose clamp	8343	
15	952636	2	Clamp		
16	965558	1	Bracket		
17	947107	1	Flange screw		
18	946544	2	Flange screw		
19	3818594	1	Hose		Heat exchanger-water pump.
20	853548	2	Hose clamp		
21		1	Tensioner	8355	
22	3809965	1	Label		