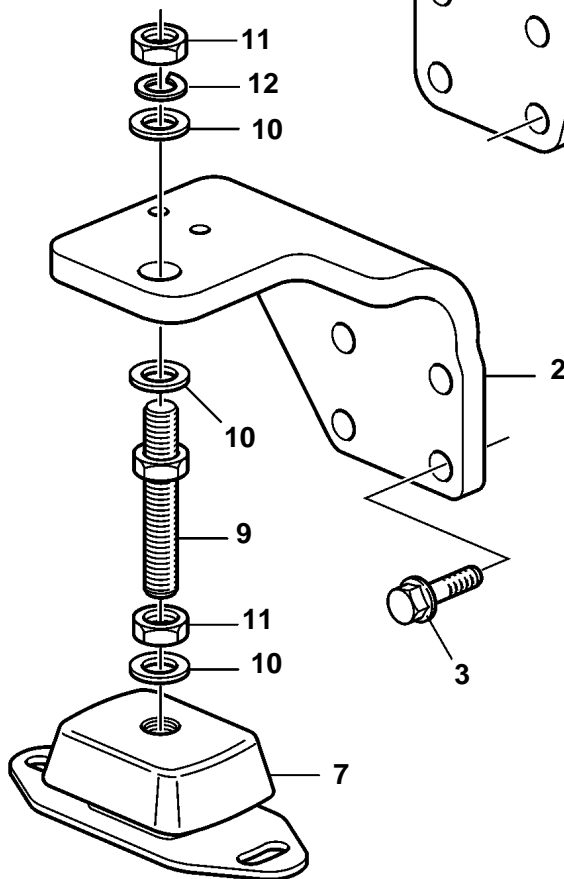
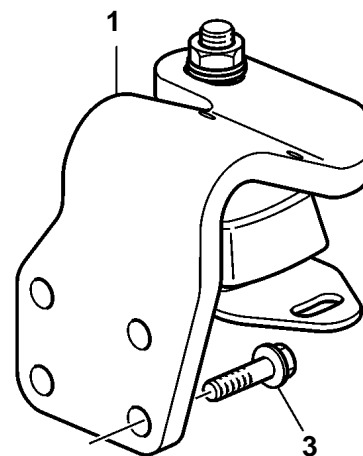
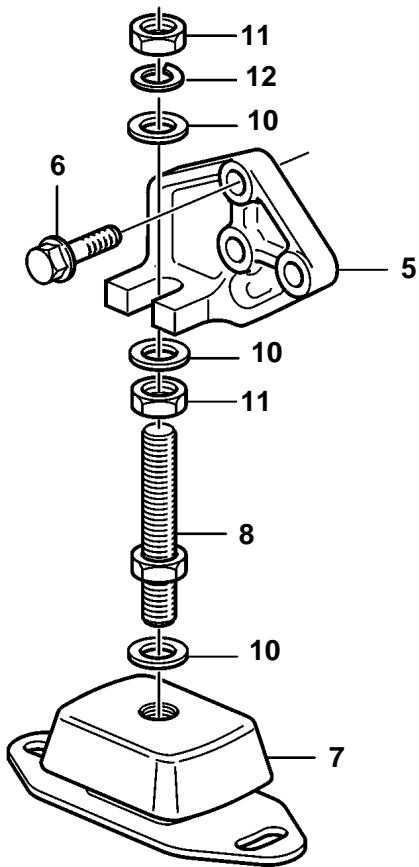
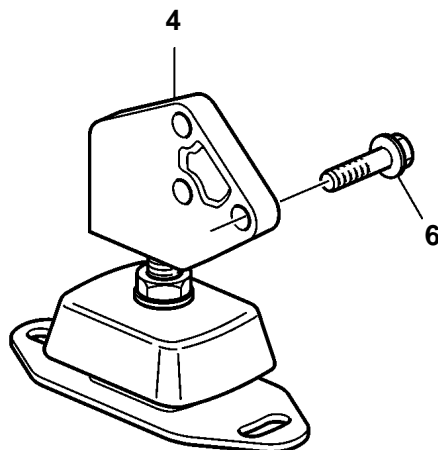


D2-40A, D2-40B, D2-40F



22894

D2-40A, D2-40B, D2-40F

REF	PART NO.	QTY	DESCRIPTION	NOTES
1	3812734	1	Engine bracket, front	Port
2	3812735	1	Engine bracket, front	Starboard
3	21246649	8	Flange screw	
4	3812733	1	Engine bracket, rear	Port
5	3817030	1	Engine bracket, rear	Starboard
6	965185	6	Flange screw	
7	861460	4	Rubber cushion	
8	3817628	2	Adjusting screw	Port
9	861431	2	Adjusting screw	Starboard
10	945094	12	Washer	
11	955821	8	Hexagon nut	
12	941912	4	Spring washer	