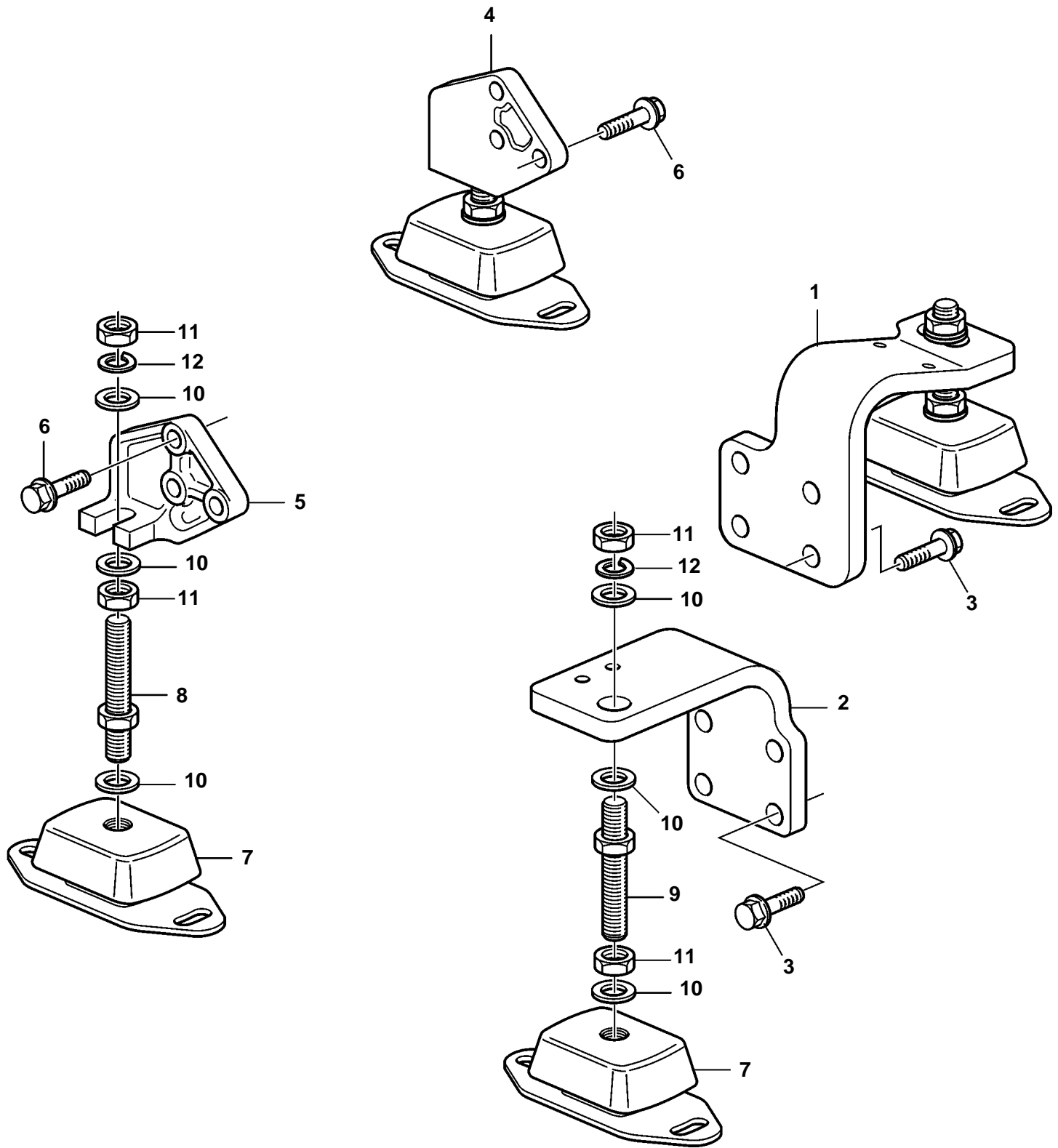


D1-20A, D1-20B, D1-20F



22890

D1-20A, D1-20B, D1-20F

REF	PART NO.	QTY	DESCRIPTION	NOTES
1	3812710	1	Engine bracket, front	Port
2	3819404	1	Engine bracket, front	Starboard, D1-20A, D1-20B
	21107579	1	Engine bracket, front	Starboard, D1-20F
3	984698	8	Hexagon screw	D1-20A, D1-20B
	946329	8	Flange screw	D1-20F
4	3812733	1	Engine bracket, rear	Port
5	3817030	1	Engine bracket, rear	Starboard
6	965185	6	Flange screw	
7	3888807	4	Rubber cushion	
8	3817628	2	Adjusting screw	Port
9	861431	2	Adjusting screw	Starboard
10	945094	12	Washer	
11	955821	8	Hexagon nut	
12	941912	4	Spring washer	