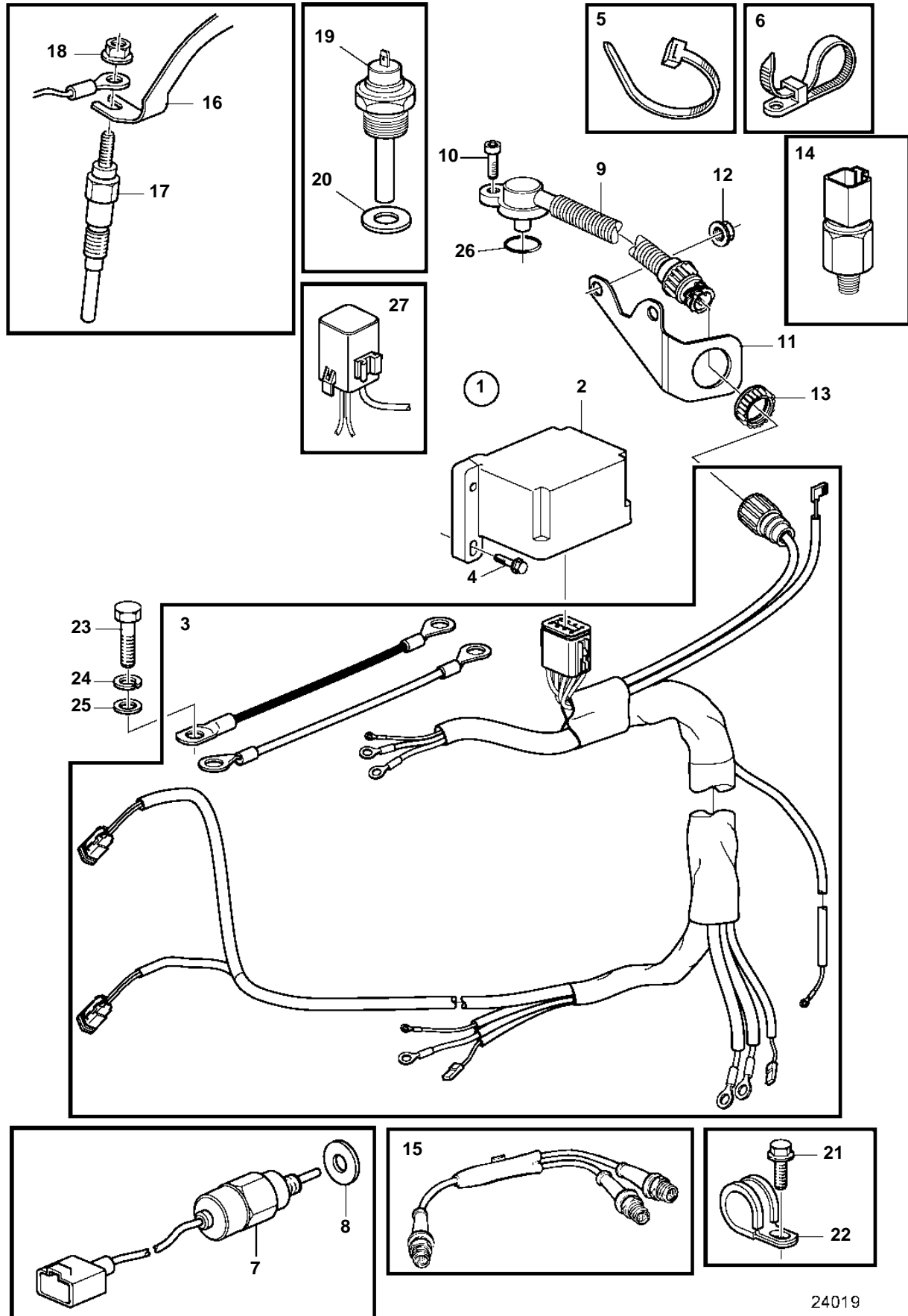


D1-13B, D1-20B, D1-30B, D2-40B



24019

D1-13B, D1-20B, D1-30B, D2-40B

REF	PART NO.	QTY	DESCRIPTION	SEE SEC.	NOTES
1	3885724	1	Electrical distribut		
2	21120710	1	• Control unit		Replaced by 21261871
	21261871	1	• Control unit		
3	3843674	1	• Wiring harness		
4	948356	2	Flange screw		
5	948211	8	Cable tie		
6	948616	1	Cable tie		
7	3584127	1	Stop solenoid		
8	3580092	1	Sealing ring		
9	3944124	1	Sensor		
10	942001	1	Hex. socket screw		
11		1	Bracket	8329	
12		2	Screw	8329	
13	3963413	1	Ring		
14	21250645	1	Pressure switch		
15	1140598	1	Distributing contact		For double steering positions.
16	3809642	1	Current bar		D1-13
	3812103	1	Current bar		D1-20
	3883705	1	Current bar		D1-20, D1-30
	3886459	1	Current bar		D2-40
17	3809641	2	Glow plug		D1-13
	3809641	3	Glow plug		D1-20, D1-30
	3809641	4	Glow plug		D2-40
18	3883704	2	Nut		D1-13
	3883704	3	Nut		D1-20, D1-30
	3883704	4	Nut		D2-40
19	827151	1	Temperature sensor		
20	947624	1	Gasket		
21	945081	1	Clamp		D2-40B
22	947107	1	Flange screw		D2-40B
23	946502	1	Flange screw		ground (hull)
24	955898	1	Washer		0.2mm
25	940280	1	Spring washer		1.2mm
26	974673	1	O-ring		
27	3594745	1	Wiring harness		