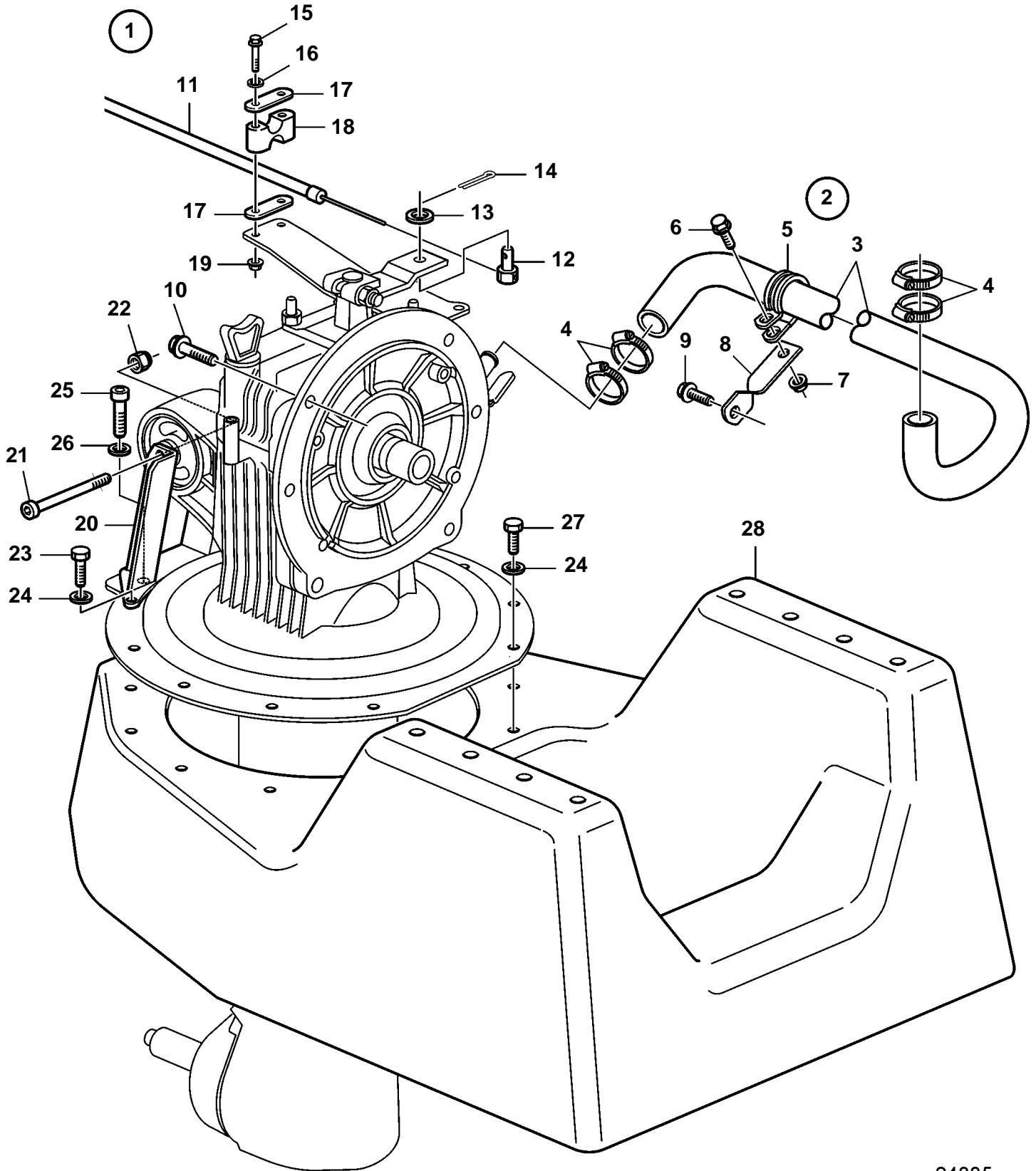


D1-13A, D1-13B, D1-20A, D1-20B, D1-30A, D1-30B, D2-40A, D2-40B, D1-13F, D1-20F, D1-30F, D2-40F



24005

D1-13A, D1-13B, D1-20A, D1-20B, D1-30A, D1-30B, D2-40A, D2-40B, D1-13F, D1-20F, D1-30F, D2-40F

REF	PART NO.	QTY	DESCRIPTION	SEE SEC.	NOTES
1	3819867	1	Drive		Ratio 2.19:1
2	3841379	1	Kit		
3		1	· Hose		
4	961666	4	· Hose clamp		
5	952637	1	· Clamp		
6	946934	1	· Flange screw		
7	945407	1	· Flange nut		
8	354842	1	Bracket		
9		1	Flange screw		
10	946752	4	Flange screw		
11		1	Control cable	231	
12	3852329	1	Cube		
13	941906	1	Spring washer		
14	17276	1	Split pin		
15	969439	2	6 point socket screw		
16	940090	2	Washer		
17	872076	2	Washer		
18	872074	1	Retainer		
19	949874	2	Flange lock nut		
20	3841849	1	Bracket		
21		1	Hex. socket screw		
22		1	Lock nut		
23	963568	2	Hexagon screw		
24	941670	10	Washer		
25		2	Hex. socket screw		
26	853095	2	Washer		
27	946730	8	Hexagon screw		
28	3842284	1	Engine bed		