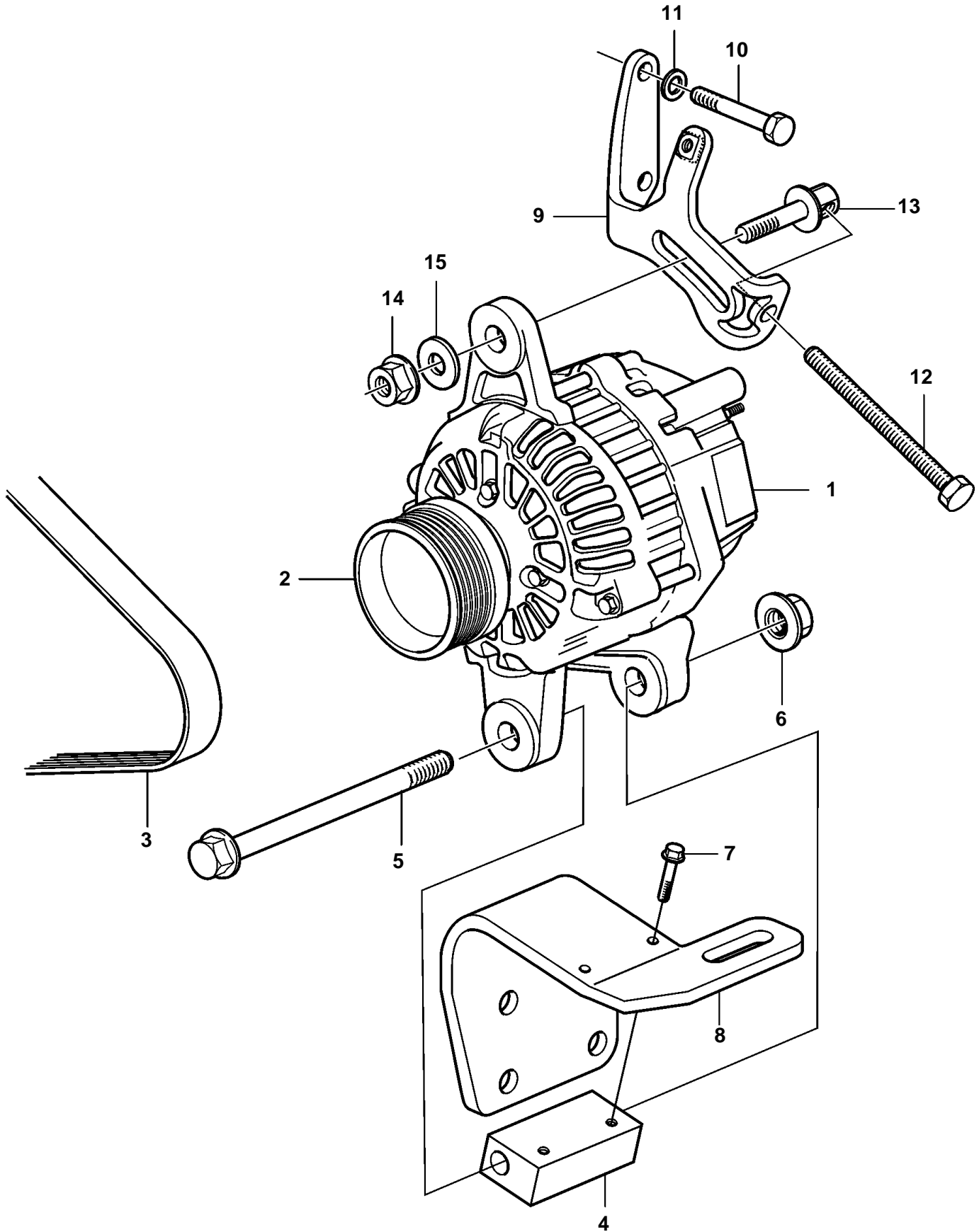


D1-30A, D1-30B, D2-40A, D2-40B



D1-30A, D1-30B, D2-40A, D2-40B

| REF | PART NO. | QTY | DESCRIPTION | SEE SEC. | NOTES |
|-----|----------|-----|-------------------------|----------|------------------|
| 1 | 874502 | 1 | Alternator | | 14V 115A |
| | 3803650 | 1 | Alternator, exch, exch | | 14V 115A |
| | | | | 9893 | |
| | 3803650 | | Alternator, exch | | |
| 2 | 3817510 | 1 | Pulley | | |
| 3 | 3812159 | 1 | Belt | | D1-30 |
| | 3812145 | 1 | Belt | | D2-40 |
| 4 | 21192343 | 1 | Support | | |
| 5 | 978447 | 1 | Flange screw | | |
| 6 | 971098 | 1 | Flange lock nut | | |
| 7 | 946671 | 2 | Flange screw | | |
| 8 | | 1 | Engine mountings, front | 8306 | Port side, D1-30 |
| | | 1 | Engine mountings, front | 8307 | Port side, D2-40 |
| 9 | 3884212 | 1 | Tensioner | | |
| 10 | 955285 | 2 | Hexagon screw | | |
| 11 | 861913 | 2 | Spring washer | | |
| 12 | 955306 | 1 | Hexagon screw | | |
| 13 | 861663 | 1 | Lock screw | | |
| 14 | 948645 | 1 | Flange lock nut | | |
| 15 | 3580019 | 1 | Washer | | |