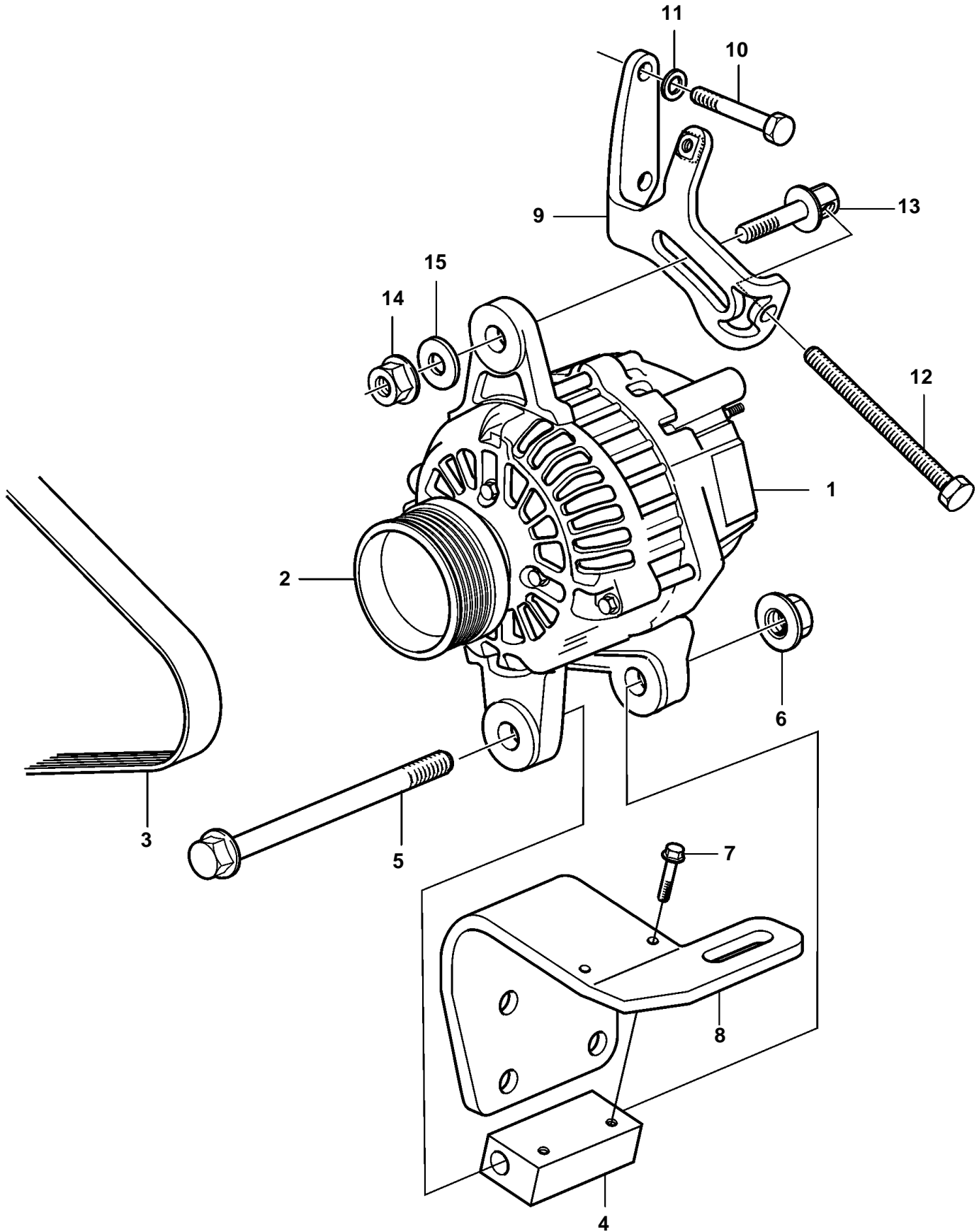


D1-30A, D1-30B, D2-40A, D2-40B



D1-30A, D1-30B, D2-40A, D2-40B

REF	PART NO.	QTY	DESCRIPTION	SEE SEC.	NOTES
1	874502	1	Alternator		14V 115A
	3803650	1	Alternator, exch, exch		14V 115A
				9893	
	3803650		Alternator, exch		
2	3817510	1	Pulley		
3	3812159	1	Belt		D1-30
	3812145	1	Belt		D2-40
4	21192343	1	Support		
5	978447	1	Flange screw		
6	971098	1	Flange lock nut		
7	946671	2	Flange screw		
8		1	Engine mountings, front	8306	Port side, D1-30
		1	Engine mountings, front	8307	Port side, D2-40
9	3884212	1	Tensioner		
10	955285	2	Hexagon screw		
11	861913	2	Spring washer		
12	955306	1	Hexagon screw		
13	861663	1	Lock screw		
14	948645	1	Flange lock nut		
15	3580019	1	Washer		